



3 DAY BLINDS®

Cordless Metal Blind
Installation Instructions



CORDLESS METAL BLIND OPERATING STYLES



Single Blind

Minimum Width	24"
Maximum Width	82"
Maximum Length	82"



2 on 1 Headrail

Minimum Overall Width	48"
Minimum Panel Width	24"
Maximum Width	123"
Maximum Length	82"
Center Light Gap	1/2"

Consult Polaris Lookbook Measurement guide for more details



CORDLESS METAL BLIND HIGHLIGHTS



8 Gauge Slat

- Available in 8 most popular colors



Clear Cordless Handle

- Single Blind
 - Blinds under 36" have 1 handle
 - Blinds over 36" have 2 handles
- 2 on 1 Headrail operating system
 - Handles will be on both panels
 - Left Blind – Under 36" 1 handle, blind over 36" 2 Handles
 - Right Blind – Under 36" 1 handle, blind over 36" 2 handles



CORDLESS METAL BLIND HIGHLIGHTS



New Integrated Headrail

New Integrated Headrail

- Headrail is color coordinated to slat color
- Slat material is inserted into face of headrail
- End Caps match the headrail coordination color



Slat inserted into Headrail

New Wand & Wand Handle

- Default length of wand is based on the length of your blind
- You may also override the default to a desired wand length



New Wand & Wand Handle

Order Length	Wand Size
12" to 16"	8"
16 1/8" to 24"	12"
24 1/8" to 36"	18"
36 1/8" to 48"	24"
48 1/8" to 60"	30"
60 1/8" and over	40"

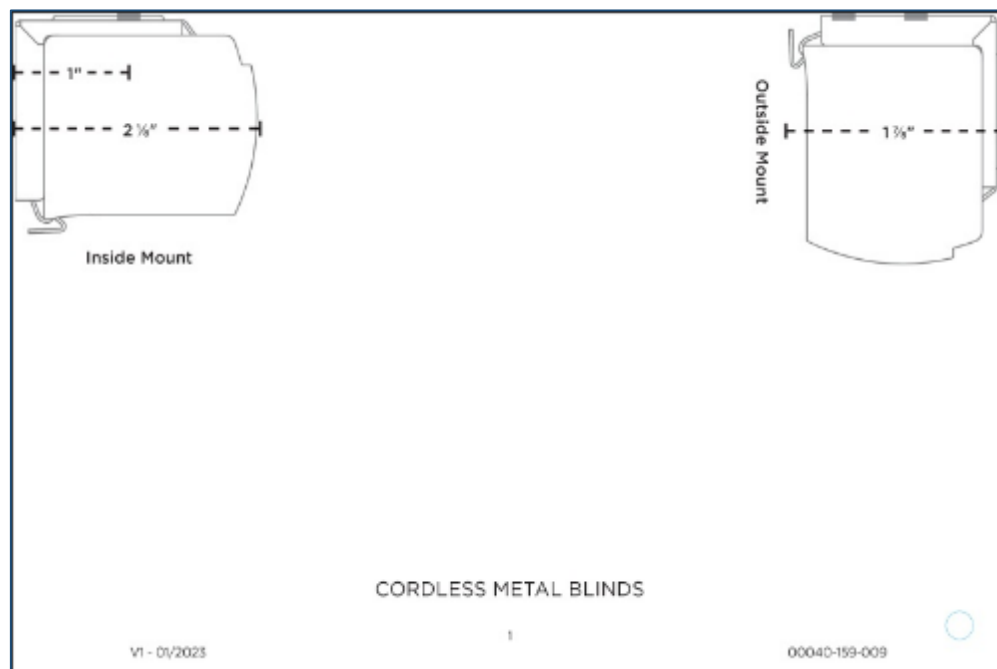
Override Option	Wand Size
Override	50"
Override	60"
Override	72"

- This wand only available on the Cordless Blind



NEW TOOL / MEASURING CONSIDERATIONS

NEW BRACKET CARD FOR CORDLESS METAL BLINDS



- Bracket Card coming in March, but will be available to be viewed in lookbook
- Depth considerations
 - Minimum depth - 1"
 - Flush Depth - 2 1/8"
 - Wand does protrude from face of headrail. Flush Depth w/ Wand - 2 1/2"
- Length considerations
 - Mounting surface for bracket length - 1 7/8"



CORDLESS METAL BLIND MATRIX

Cordless Metal Blind		Models	Operation		Product Features			
		Cordless 8 Gauge	Wand Tilt	2-on-1 Headrail	Control Side	Control Length	Additional Clearance Depth	Tile Cut Outs
Models	Cordless - 8 Gauge	X	X	X	X	X	X	X
Operation	Wand Tilt	X	X	X	X	X	X	X
	2-on-1 Headrail	X	X	X	X	X	X	X
Product Features	Control Side	X	X	X	X	X	X	X
	Control Length	X	X	X	X	X	X	X
	Additional Clearance Depth	X	X	X	X	X	X	X
	Tile Cut Outs	X	X	X	X	X	X	X



INSTALLATION INSTRUCTIONS

GETTING STARTED

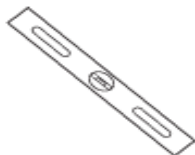
A few simple tools are required:



Steel Tape Measure



Pencil



Level



Power Drill and Drill Bits



Flathead & Phillips Screwdriver



Awl (or tool for starting a screw hole)

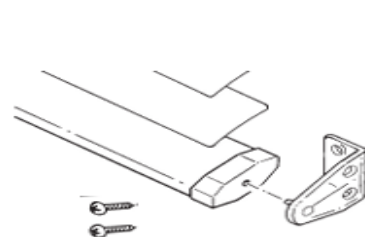
Included in your order is all the hardware necessary for a normal installation. Depending on the mounting surface, fasteners other than the screws provided may be required. Wall board and plaster require the use of anchors such as expansion or toggle bolts. Bricks, tile and stone need special plugs and drill bits. Wood should always be pre-drilled to avoid splitting.

STANDARD HARDWARE

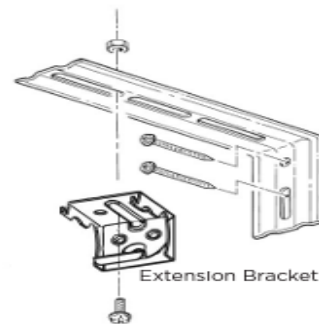


Cordless Handle

OPTIONAL HARDWARE



Hold Down Brackets with Screws



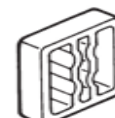
Extension Bracket



Phillips Machine Screws

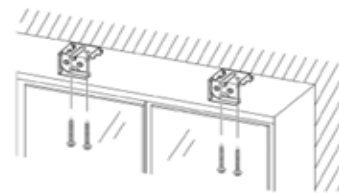


Hex Machine Nuts

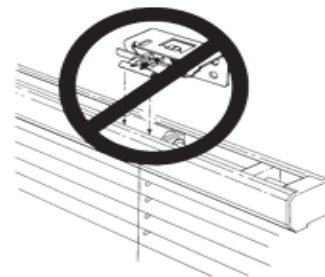


Spacers

INSIDE MOUNT



- Mount each bracket with two screws.
- Additional mounting brackets, if required, should be evenly spaced between the two end brackets.
- Make sure brackets do not interfere with any moving parts in the headrail.



Proceed to "Blind Installation".



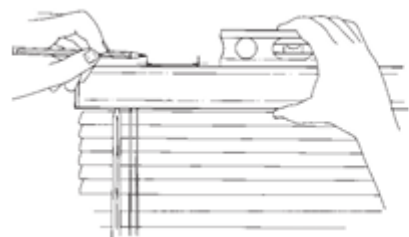
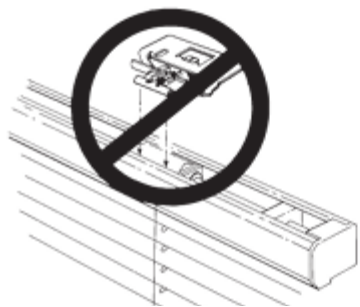
INSTALLATION INSTRUCTIONS

OUTSIDE MOUNT

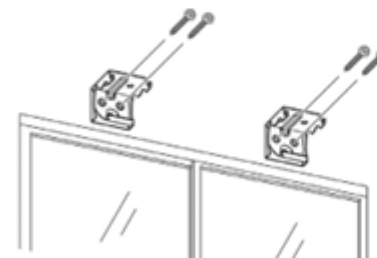
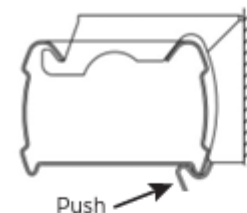
You will be using your blind with mounting brackets attached to the headrail to mark the position of the brackets on your wall or molding. To determine bracket placement, you will need to make a small pencil mark on the back of the headrail.



- Center a bracket over each pencil mark on the headrail.
- Additional mounting brackets, if required, should be evenly spaced between the two end brackets.
- Make sure brackets do not interfere with any moving parts in the headrail.



- Hold the blind up to the desired mounting position over the window. Once the blind is level, mark the wall or molding on either side and the top edge of each mounting bracket.



Proceed to "Blind Installation"

NOTE: If using extension brackets, attach mounting brackets to extension brackets with nuts and bolts before attaching brackets to headrail.

- Mount each bracket making sure all brackets are installed level and in line with each other.
- Remove the mounting brackets from the headrail by pushing the back of the bracket tab.
- Mount each bracket making sure all brackets are installed level and in line with each other.

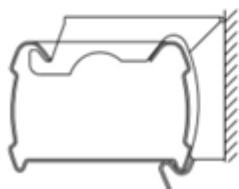


INSTALLATION INSTRUCTIONS

BLIND INSTALLATION



- Hang the front lip of the headrail onto the mounting bracket hook.

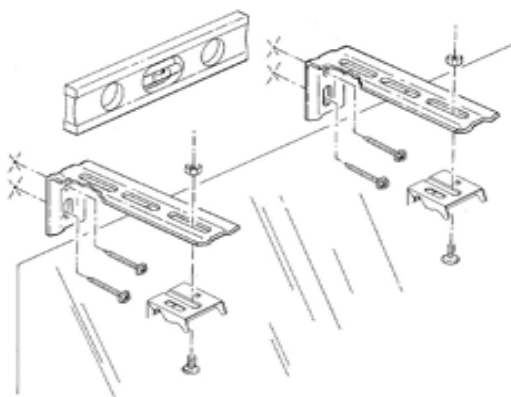


- Rotate the blind until the rail snaps into the brackets.

OPTIONAL HARDWARE INSTALLATION

EXTENSION BRACKETS

These are available in two sizes and are used to project the blind up to 3" from the mounting surface. Extension brackets are available at an additional charge and are ideal if your blind must clear an obstruction such as a sliding glass door handle or window crank. Extension brackets require a flat vertical mounting surface of at least 1 3/4".



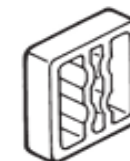
- Attach each mounting bracket to an extension bracket using the nuts and bolts provided.
- Mount the extension bracket to the wall per the instructions for an "Outside Mount" on Page 4, making certain that all mounting brackets are level and project the same distance from the mounting surface.

Install the blind per the directions for "Blind Installation".

SPACERS

Available for use on windows with a projected molding. They are 3/8" thick and allow the blind to be mounted flush with the outside edge of any standard window molding.

Spacers



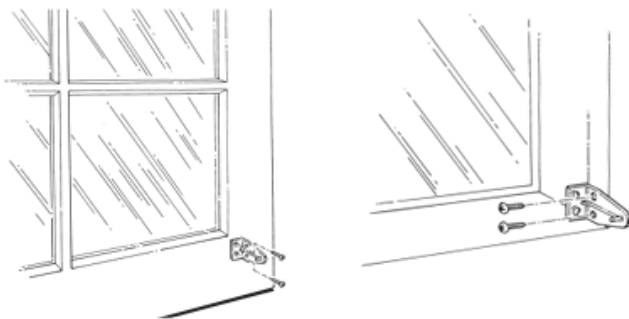


INSTALLATION INSTRUCTIONS

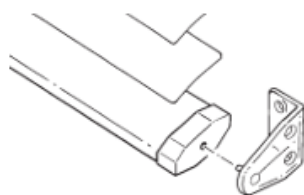
HOLD DOWN BRACKETS

Hold down brackets are used primarily on shades being mounted to doors or in motor homes. (2 per blind) Hold Down Brackets are available by contacting our Client Care Team at 800-800-3329. There is a small hole in the center of the end cap that is covered by a thin plastic cover. Use the pin of the hold down bracket to push through the center of the end cap and it will break through the plastic cover.

- With the blind lowered to its full length, place the pin of each hold down bracket into the hole in each end of the bottom rail.
- Using a pencil, mark the mounting surface through the holes in the hold down bracket. Make sure the hold down brackets are level and aligned with each other.
- Raise the blind and screw the hold down brackets into the mounting surface using the screws provided.



- Mount the hold down bracket to the side or back of the window frame so that the pin lines up with the front hole in the bottom rail end cap with the blind fully lowered.



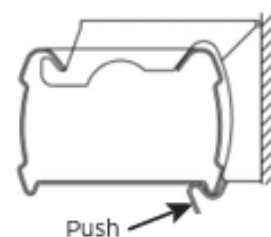
- Lower the shade and flex the hold down bracket outward so that the pin can be inserted into the hole in the end cap.

BLIND OPERATION

- To lower the blind, pull the handle attached to the bottom rail down to desired position.
- To tilt the slats, twist the tilt wand.
- Do not attempt to raise or lower the blind unless the slats are in a completely open (horizontal) position.
- To raise the blind, pull the handle to the desired up position.

BLIND REMOVAL

Draw the blind completely up.



- Push back on the tab of the bracket.
- Rotate the back of the headrail down and carefully lift the headrail off of the front hooks of the mounting brackets.



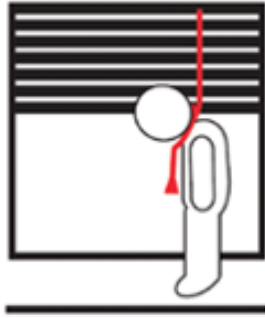


INSTALLATION INSTRUCTIONS



WARNING

Young children can STRANGLE in cord and bead chain loops. They can also wrap cords around their necks and STRANGLE.



- Always keep cords and bead chains out of children's reach.
- Move cribs, playpens, and other furniture away from cords and bead chains. Children can climb furniture to get to cords.
- Attach tension device to wall or floor. This can prevent children from pulling cords and bead chains around their necks. Fasteners provided with the tension device may not be appropriate for all mounting surfaces. Use appropriate anchors for the mounting surface conditions.

ANSI/WCMA A100.1-2018 5.2.2