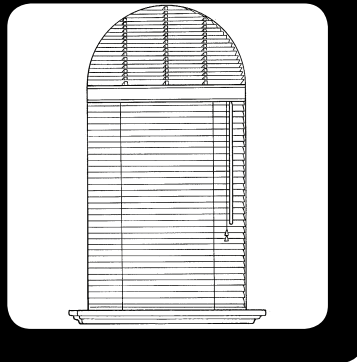


# WOOD & FAUX WOOD ARCH



3DAYBLINDS®  
YOU'LL LOVE THE TREATMENT

## GETTING STARTED

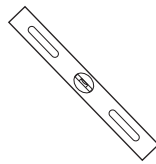
A few simple tools are required:



Steel Tape Measure



Pencil



Level



Power Drill and  
Drill Bits



Flathead & Phillips  
Screwdriver

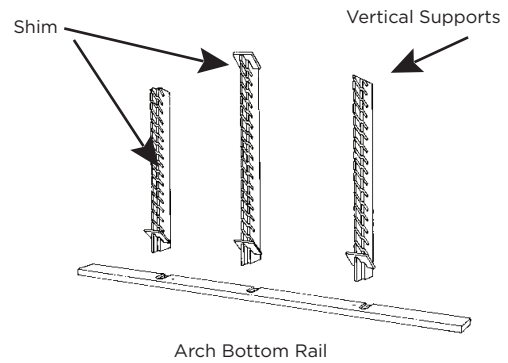


Awl (or tool for starting  
a screw hole)

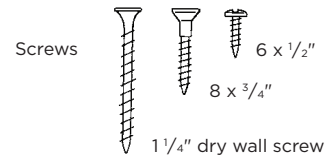
Included in your order is all the hardware necessary for a normal installation. Depending on the mounting surface, fasteners other than the screws provided may be required. Wall board and plaster require the use of anchors such as expansion or toggle bolts. Bricks, tile and stone need special plugs and drill bits. Wood or Faux Wood should always be pre-drilled to avoid splitting.

Professional installation is also available in most areas, call 800-800-3329.

## ARCH AND HARDWARE



Arch Bottom Rail

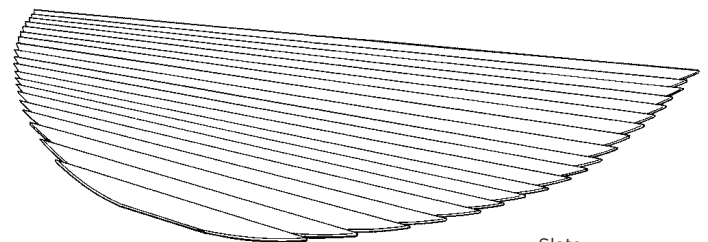


Screws

6 x 1/2"

8 x 3/4"

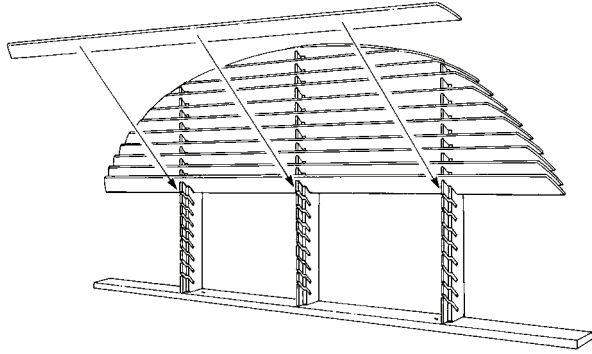
1 1/4" dry wall screw



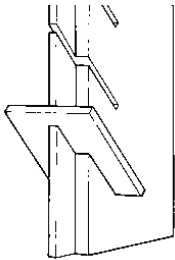
Slats

## ARCH ASSEMBLY

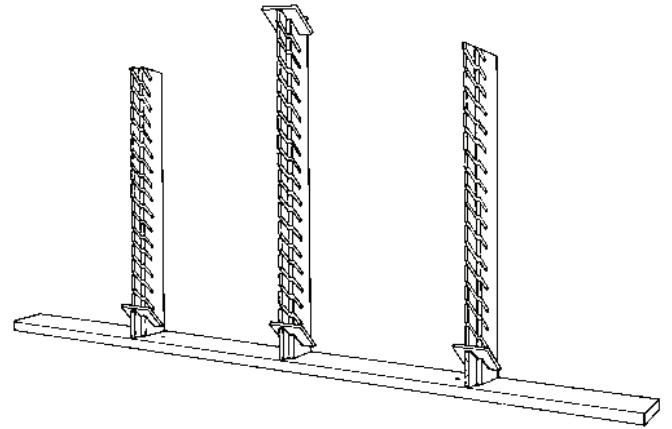
The arch is intended to be installed with the slats angled down toward the window. This provides for maximum light control and will keep the sun's rays from damaging furniture and carpet. You will be unable to install a stand alone arch with the slats angled in the opposite direction.



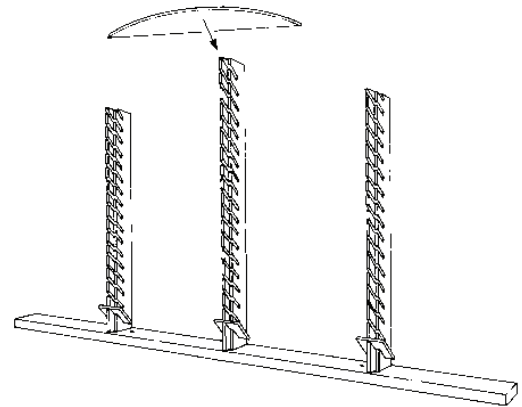
**WARNING:** 3 Day Blinds recommends that you follow these instructions carefully. If you fail to attach the arch to a window sill or Wood or Faux Wood Blinds support brackets, the arch could be dislodged and fall from the window. This could result in damage to property. It could also seriously harm people and/or pets.



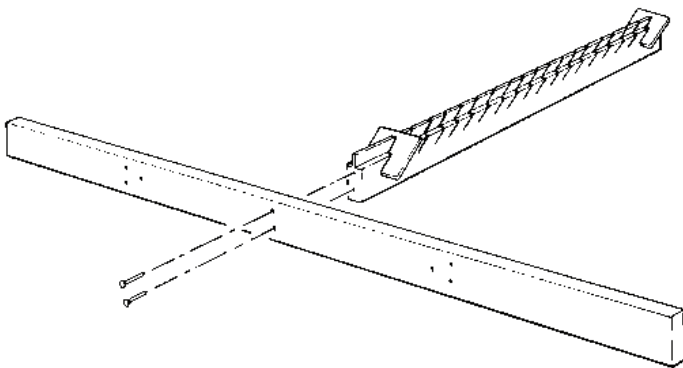
- Remove the arch components from their protective wrapping. DO NOT remove the shims located in the grooves.



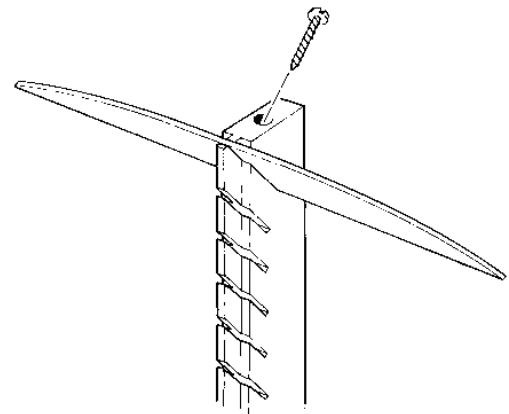
- Remove and discard the wood shim located at the top of center vertical support.



- Insert the top slat into the center vertical support, making sure the slat is centered on the support, using the blue tape on the slat as a guide.



- Attach the vertical supports to the bottom rail using a Phillips screwdriver and the #8 x 3/4" screws. The vertical supports are numbered starting at 1 and correspond to the same number written inside the groove on the bottom rail. Be careful not to over-tighten the screws, as this may crack the vertical supports. Make sure the screws are flush with the face of the bottom rail and all vertical supports are facing the same direction.



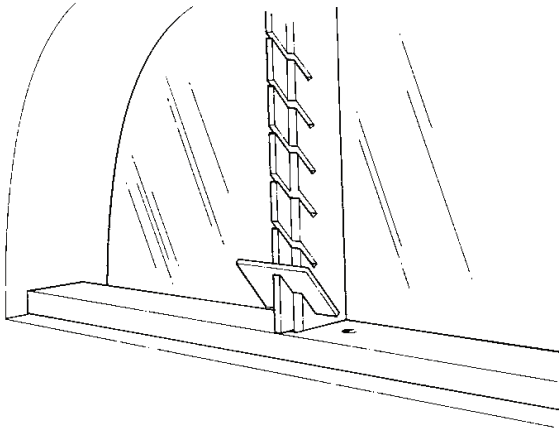
- Secure the top slat to the center vertical support using a Phillips screwdriver and the 1 1/4" drywall screw. Remove the blue tape when finished.

## ARCH INSTALLATION

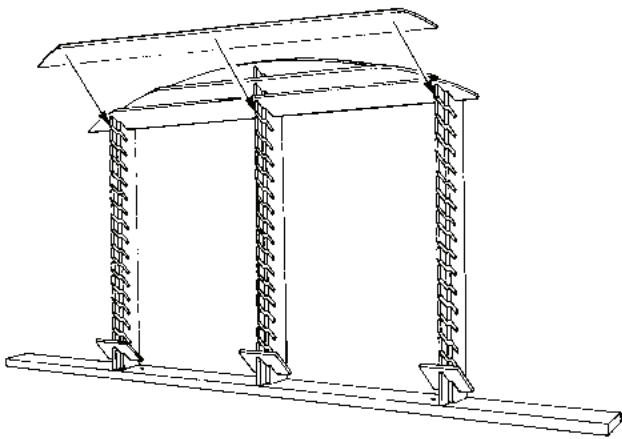
If you are installing just an arch without a blind below it, proceed to “Sand Alone Arch Installation”. If you are installing an arch over a new blind, proceed to “Arch Over A New Blind Installation”.

If you are installing an arch over an existing blind, proceed to “Arch Over An Existing Blind Installation”.

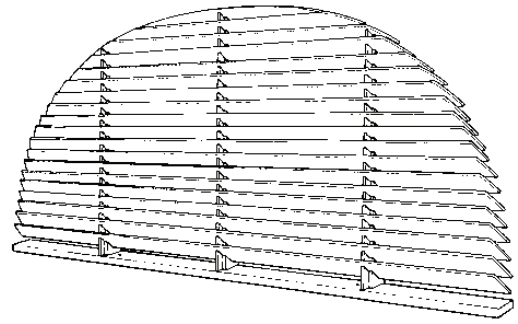
### STAND ALONE ARCH INSTALLATION



- The arch bottom rail contains 2 pre-drilled holes. Position the arch bottom rail in the window sill  $\frac{1}{8}$ " back from the front edge. Make sure the slats slope down toward the glass.
- Using a drill with a  $\frac{1}{16}$ " drill bit and using the pre-drilled holes as a guide, drill 2 pilot holes into the window sill. If a drill is unavailable, use a finish nail to start a pilot hole.
- Arrange the remaining individual slats in order according to size (large to small).

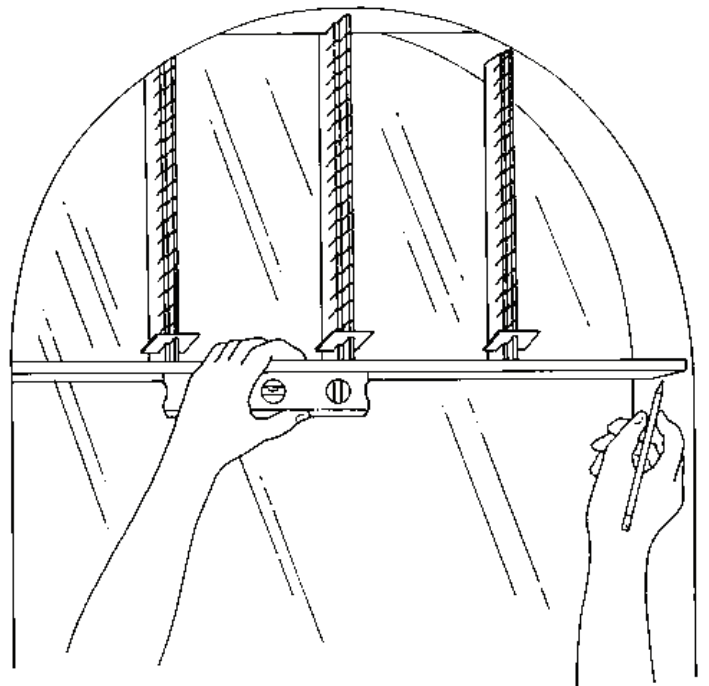


- Starting at the top of the arch insert slats leaving enough room for securing mounting screws into the bottom rail (leave out approximately 4 - 8 slats for now).
- Attach the arch bottom rail to the window sill using the  $1\frac{1}{4}$ " drywall screws.
- Remove and discard the shims located in the bottom groove of each vertical arch support.



- Continue inserting the remaining slats to create the completed arch.

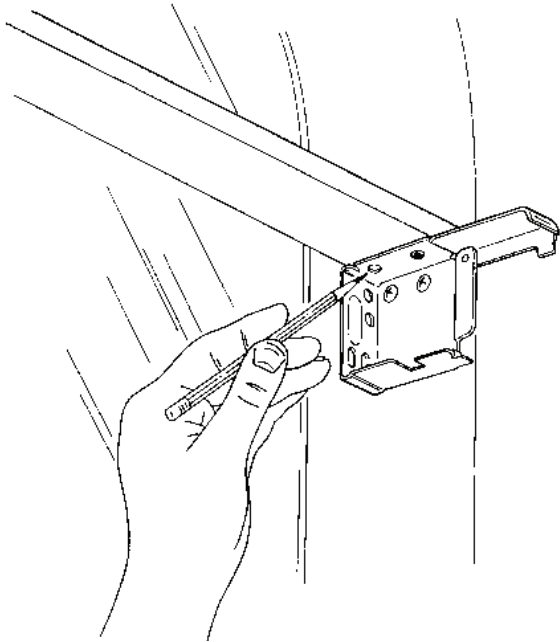
### ARCH OVER A NEW BLIND INSTALLATION



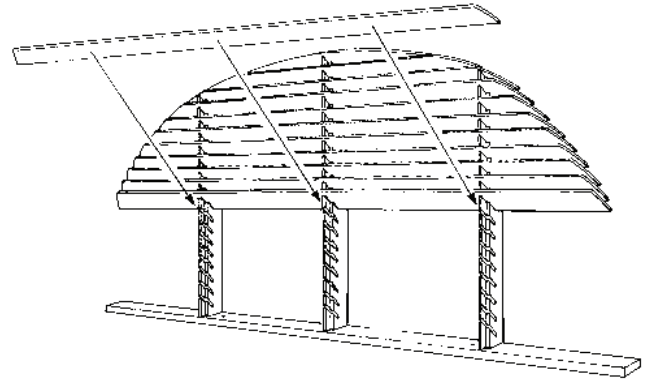
- Using a level, hold the partially completed arch to the correct position inside or outside the window to determine where the 2" Wood or Faux Wood Blind mounting brackets will be placed for both the arch and the blind. Using a pencil, draw a small line on the wall under the arch bottom rail at both ends of the arch to establish where the 2" Wood or Faux Wood Blind mounting brackets will be attached.
- Attach the brackets as shown in the bottom blind's Installation Instructions. Continue below to “Arch Over An Existing Blind Installation”.

## ARCH OVER AN EXISTING BLIND INSTALLATION

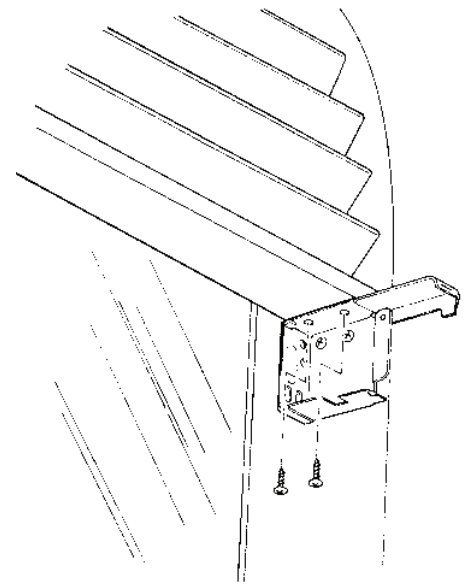
NOTE: If there is an existing blind in the brackets, remove the blind before proceeding with the following step.



- Position the arch bottom rail over the 2" Wood or Faux Wood Blind mounting brackets. The front edge of the arch bottom rail should be flush with the front top edge of the bracket. The bottom rail should be centered in/over the window. Using a pencil, mark two screw holes through the bracket onto the underside of the arch bottom rail. Repeat for the other side of the arch.
- Remove the arch from the window casing. Using a drill with  $\frac{1}{16}$ " drill bit or an awl, make a small pilot hole at each pencil mark not more than  $\frac{1}{16}$ " deep.
- Arrange the remaining individual slats in order according to size (large to small).
- Remove and discard the shims located in the bottom groove of each vertical arch support.



- Starting at the top of the arch insert the remaining slats.



- Place the arch on top of the mounting brackets and attach the arch to the brackets using a Phillips screwdriver and the #6 X  $\frac{1}{2}$  inch screws by screwing from the underside of the brackets into the underside of the arch bottom rail.



**3DAYBLINDS®**  
YOU'LL LOVE THE TREATMENT

800-800-3329 | 3dayblinds.com

Part # PM-027 © 3 Day Blinds Corporation 3/13