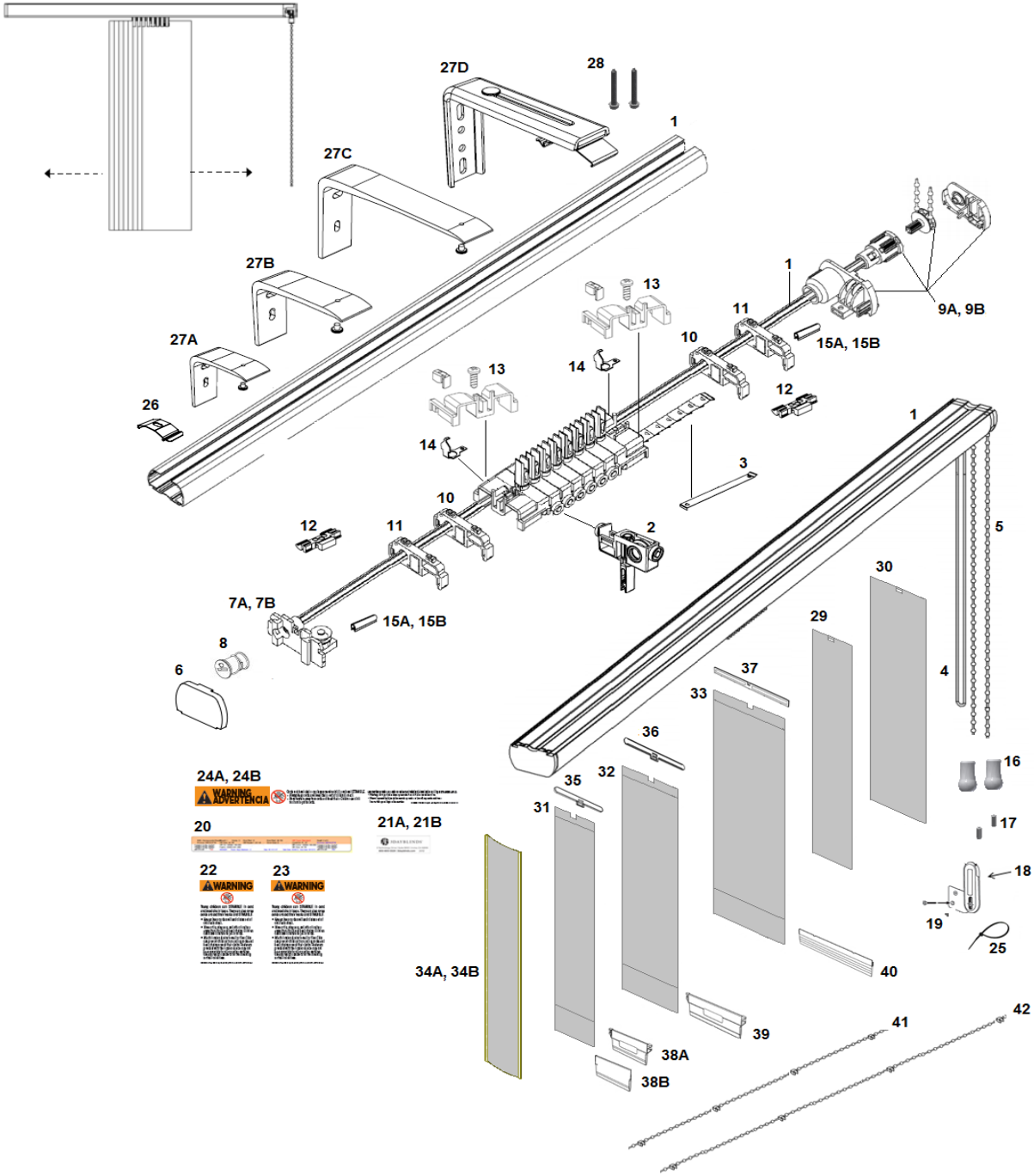


VERTICAL BLIND DELUXE CENTER STACK - EXPLODED VIEW

Vertical Blind - Center Stack



24A, 24B

WARNING **ADVERTENCIA** Read the instructions carefully before using the product. Do not use the product if you are unable to understand the instructions. Do not use the product if you are unable to understand the instructions. Do not use the product if you are unable to understand the instructions.

20

Read the instructions carefully before using the product. Do not use the product if you are unable to understand the instructions. Do not use the product if you are unable to understand the instructions. Do not use the product if you are unable to understand the instructions.

21A, 21B

Read the instructions carefully before using the product. Do not use the product if you are unable to understand the instructions. Do not use the product if you are unable to understand the instructions. Do not use the product if you are unable to understand the instructions.

22

WARNING

Read the instructions carefully before using the product. Do not use the product if you are unable to understand the instructions. Do not use the product if you are unable to understand the instructions. Do not use the product if you are unable to understand the instructions.

23

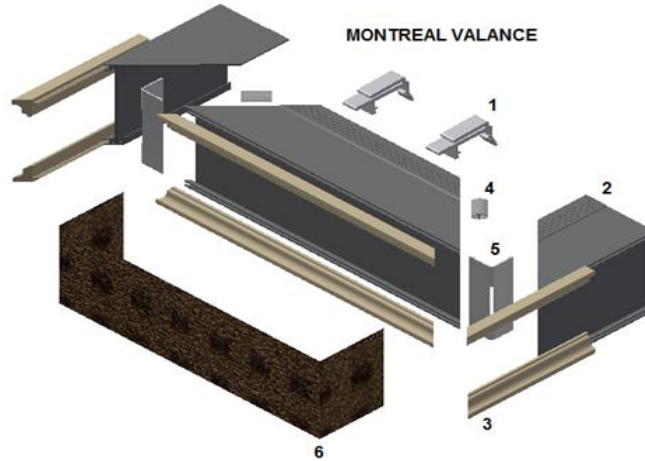
WARNING

Read the instructions carefully before using the product. Do not use the product if you are unable to understand the instructions. Do not use the product if you are unable to understand the instructions. Do not use the product if you are unable to understand the instructions.

VERTICAL BLIND DELUXE CENTER STACK - EXPLODED VIEW

Item	Part Number	Description	Item	Part Number	Description
1	15034-XXX-000	Headrail and Tilt Rod	26	15037-XXX-000	Clip Mounting Support – White or Grey
2	15062-000-000	Heavy Duty Carrier	27A	15039-XXX-089	Wall Bracket Aluminum for 3.5" Slat - White or Grey
3	VARIABLES	Metal Link varies from 13 mm to 220mm	27B	15040-XXX-127	Wall Bracket Aluminum for 3.5" & 5" Slat - White or Grey
4	15047-XXX-000	Pulling Cord 2 mm – White or Grey	27C	15051-XXX-250	Wall Bracket Aluminum for 10" Slat - White or Grey
5	15055-XXX-000	Chain White or Grey	27D	15038-XXX-000	Wall Adjustable Bracket for 10" Slat - White or Grey
6	15041-XXX-000	End Cap White or Grey	28	05973-000-000	#8 1.5" Hex Screw
7A	15042-XXX-000	End Cap Inside Left White or Grey	29	VARIABLES	3.5" PVC Slat
7B	15043-XXX-000	End Cap Inside Right White or Grey	30	VARIABLES	5" PVC Slat
8	15045-100-000	Tilt Rod Lock	31	VARIABLES	3.5" Free Hanging Fabric
9A	15016-XXX-000	Control Unit Left White or Grey	32	VARIABLES	5" Free Hanging Fabric
9B	15018-XXX-000	Control Unit Right White or Grey	33	VARIABLES	10" Free Hanging Fabric
10	15031-100-000	Magnetic Tilt Rod Support	34A	04910-XXX-000	Groover Standard - White or Ivory
11	15030-100-000	Non-Magnetic Tilt Rod Support	34B	04930-XXX-000	Groover Thin - White or Ivory
12	15044-100-000	Tilt Rod Support Stopper	35	15053-000-089	Slat Hanger 89mm for 3.5" Free Hanging Slat
13	15032-100-000	Cord Drive Runner Small	36	15053-000-127	Slat Hanger 127mm for 5" Free Hanging Slat
14	15026-000-000	Metal Plate For Cord Drive	37	15043-000-250	Slat Hanger 250mm for 10" Free Hanging Slat
15A	15027-000-089	Tube 3/2" Slat Omega Spacer	38A	15049-100-089	Slat Weight 89mm for 3.5" Free Hanging Slat
15B	15027-000-127	Tube 5" and 10" Slat Omega Spacer	38B	15049-100-000	Slat Weight for 3.5" Slat without Weight
16	15059-XXX-000	Tassel White or Grey	39	15049-100-127	Slat Weight 127mm for 5" Free Hanging Slat
17	11049-005-000	Chain Connector White	40	15049-100-250	Slat Weight 250mm for 10" Free Hanging Slat
18	05069-000-000	Tension Pulley	41	15050-100-089	Connecting Chain 89mm for 3.5" Free Hanging Slat
19	05069-001-000	Tension Pulley Bracket Hardware Kit	42	15050-100-127	Connecting Chain 127mm for 5" Free Hanging Slat
20	00005-028-000	White Job Tickets			
21A	00002-112-000	Label – 3DB Logo Black			
21B	00002-114-000	Label – 3DB Logo White			
22	00002-212-000	Tag – Individual Tassel			
23	00002-214-000	Tag – Tension Device			
24A	00002-118-000	Child Warning Label - Long			
24B	00002-119-000	Child Warning Label - Short			
25	00013-186-000	Black Zip Tie 5.5"			

VERTICAL BLIND VALANCES - EXPLODED VIEW

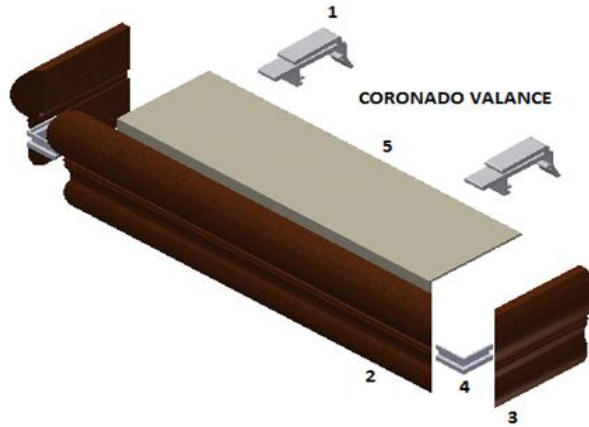


Item	Part Number	Description
1	15046-100-000	Valance Clip
2	05944-040-035	Montreal Valance 3.5"
3	05945-100-000 Or 05945-040-000	Montreal Valance Trim
4	05947-000-000	Montreal Valance Retainer Clip
5	05910-000-000	Metal Corner
6	VARIABLES	PVC Slat or Fabric Insert

❖ Montreal Valance Clearance and Return Sizes

Product	Slat	Ext Brackets	Mount	Clearance	Return Size
Montreal Valance	3.5"	N/A	Inside	N/A	1 1/4"
		15039-XXX-089	Outside	3/8"	4 7/8"
		15040-XXX-127	Outside	1"	5 1/2"

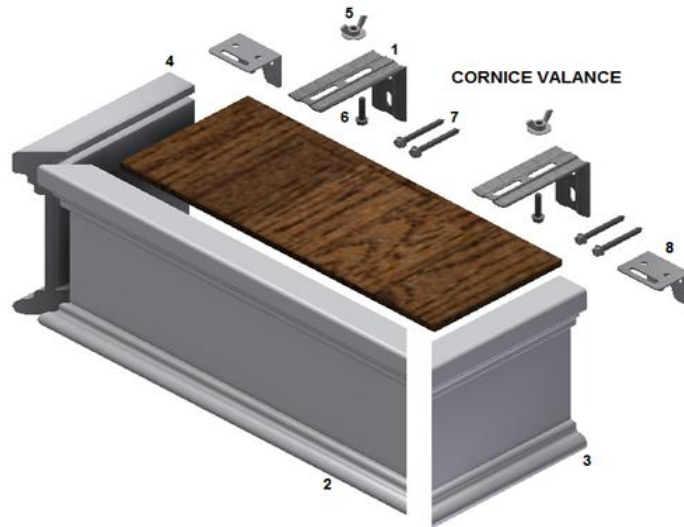
VERTICAL BLIND VALANCES - EXPLODED VIEW



Item	Part Number	Description
1	15046-100-000	Valance Clip
2	08420-XXX-000	Coronado Valance
3		Coronado Valance Return
4	08970-001-000	Valance Return Clip
5	05943-001-000	Coronado Dust Cover

❖ Coronado Valance Clearance and Return Sizes

Product	Slat	Ext Brackets	Mount	Clearance	Return Size
Coronado Valance	3.5"	N/A	Inside	N/A	1 1/2"
		15039-XXX-089	Outside	3/8"	4 1/8"
		15040-XXX-127	Outside	1"	4 7/8"

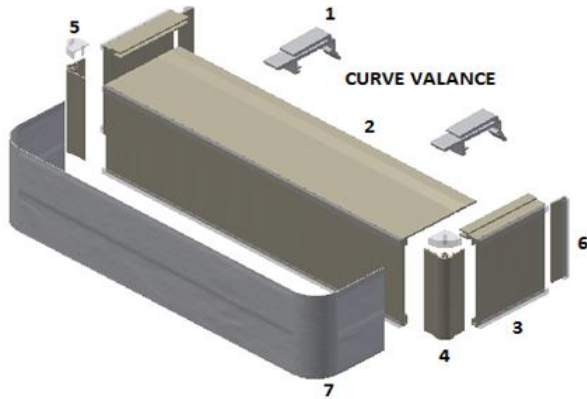


Item	Part Number	Description
1	05211-000-000	3" L Bracket
2		
3	Vanes	Cornice Valances
4	08290-000-001	1" Dust Cover
	08290-000-004	4" Dust Cover
	08290-000-005	5" Dust Cover
5	08754-000-000	Wing Nut #8
6	08757-000-000	Hex Washer Machine Screw 5/8"
7	05972-000-000	#6 1.5" Hex Screw
8	08812-000-000	Cornice 1x1 Angle Iron L - Bracket

⊕ ❖ Cornice Valance Clearance and Return Sizes

Product	Slat	Ext Brackets	Mount	Clearance	Return Size
Cornice Valance	3.5"	08812-000-000	Inside	N/A	1 1/4"
		15039-XXX-089	Outside	3/8"	4 1/4"
		15040-XXX-127	Outside	1"	5 1/4"

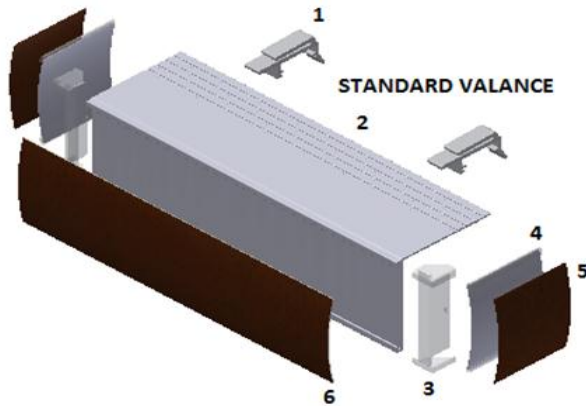
VERTICAL BLIND VALANCES - EXPLODED VIEW



Item	Part Number	Description
1	15046-100-000	Valance Clip
2	05942-000-000	Curved Corner Valances
3	05942-001-000	Curved Corner Returns
4	05183-000-000	Curved Corners
5		Clear Cap
6	N/A	Return Clip
7	VARIES	PVC Slat or Fabric Insert

❖ Curved Valance Clearance and Return Sizes

Product	Slat	Ext Brackets	Mount	Clearance	Return Size
Curved Valance	3.5"	N/A	Inside	N/A	1 1/8"
		15039-XXX-089	Outside	3/8"	3 5/8"
		15040-XXX-127	Outside	1"	4 3/8"



Item	Part Number	Description
1	15046-100-000	Valance Clip
2	05942-000-000	Curved Corner Valances
3	05182-000-000	Closed Corner
4	04910-040-000	Returns
5	VARIES	PVC Slat
6	VARIES	PVC Slat

❖ Standard Valance Clearance and Return Sizes

Product	Slat	Ext Brackets	Mount	Clearance	Return Size
Standard Valance	3.5"	N/A	Inside	N/A	1 1/2"
		15039-XXX-089	Outside	3/8"	4 1/2"
		15040-XXX-127	Outside	1"	5"