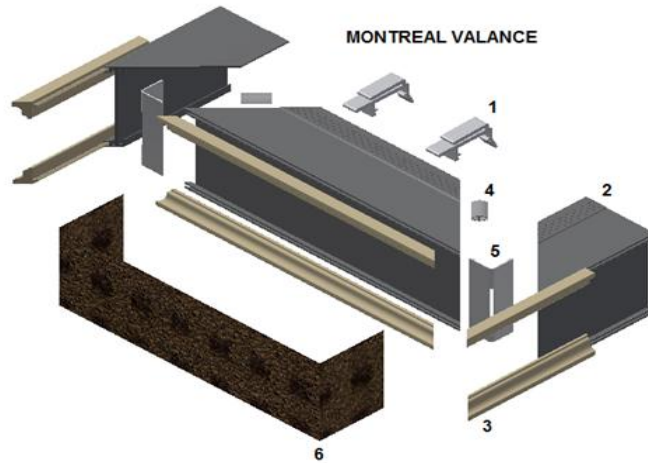


VERTICAL BLIND DELUXE ONE WAY REVERSE - EXPLODED VIEW

| Item | Part Number | Description | Item | Part Number | Description |
|------|---------------|-----------------------------------------|------|---------------|----------------------------------------------------------|
| 1 | 15034-XXX-000 | Headrail and Tilt Rod | 25 | 00002-212-000 | Tag – Individual Tassel |
| 2 | 15062-000-000 | Heavy Duty Carrier | 26 | 00002-214-000 | Tag – Tension Device |
| 3 | VARIABLES | Metal Link varies from 13 mm to 220mm | 27A | 00002-118-000 | Child Warning Label - Long |
| 4 | 15047-XXX-000 | Pulling Cord 2 mm – White or Grey | 27B | 00002-119-000 | Child Warning Label - Short |
| 5 | 15055-XXX-000 | Chain White or Grey | 28 | 00013-186-000 | Black Zip Tie 5.5" |
| 6 | 15041-XXX-000 | End Cap White or Grey | 29 | 15037-XXX-000 | Clip Mounting Support – White or Grey |
| 7A | 15042-XXX-000 | End Cap Inside Left White or Grey | 30A | 15039-XXX-089 | Wall Bracket Aluminum for 3.5" Slat - White or Grey |
| 7B | 15043-XXX-000 | End Cap Inside Right White or Grey | 30B | 15040-XXX-127 | Wall Bracket Aluminum for 3.5" & 5" Slat - White or Grey |
| 8 | 15045-100-000 | Tilt Rod Lock | 30C | 15051-XXX-250 | Wall Bracket Aluminum for 10" Slat - White or Grey |
| 9A | 15016-XXX-000 | Control Unit Left White or Grey | 30D | 15038-XXX-000 | Wall Adjustable Bracket for 10" Slat - White or Grey |
| 9B | 15018-XXX-000 | Control Unit Right White or Grey | 31 | 05973-000-000 | #8 1.5" Hex Screw |
| 10 | 15017-000-000 | Connecting Pin | 32 | VARIABLES | 3.5" PVC Slat |
| 11A | 15014-XXX-000 | Window Cleaner Hook Left White or Grey | 33 | VARIABLES | 5" PVC Slat |
| 11B | 15015-XXX-000 | Window Cleaner Hook Right White or Grey | 34 | VARIABLES | 3.5" Free Hanging Fabric |
| 12 | 15031-100-000 | Magnetic Tilt Rod Support | 35 | VARIABLES | 5" Free Hanging Fabric |
| 13 | 15030-100-000 | Non-Magnetic Tilt Rod Support | 36 | VARIABLES | 10" Free Hanging Fabric |
| 14 | 15044-100-000 | Tilt Rod Support Stopper | 37A | 04910-XXX-000 | Groover Standard - White or Ivory |
| 15 | 15032-100-000 | Cord Drive Runner Small | 37B | 04930-XXX-000 | Groover Thin - White or Ivory |
| 16 | 15026-000-000 | Metal Plate For Cord Drive | 38 | 15053-000-089 | Slat Hanger 89mm for 3.5" Free Hanging Slat |
| 17A | 15035-100-000 | Runner Train Connector Left | 39 | 15053-000-127 | Slat Hanger 127mm for 5" Free Hanging Slat |
| 17B | 15036-100-000 | Runner Train Connector Right | 40 | 15043-000-250 | Slat Hanger 250mm for 10" Free Hanging Slat |
| 18A | 15027-000-089 | Tube 31/2" Slat Omega Spacer | 41A | 15049-100-089 | Slat Weight 89mm for 3.5" Free Hanging Slat |
| 18B | 15027-000-127 | Tube 5" and 10" Slat Omega Spacer | 41B | 15049-100-000 | Slat Weight for 3.5" Slat without Weight |
| 19 | 15059-XXX-000 | Tassel White or Grey | 42 | 15049-100-127 | Slat Weight 127mm for 5" Free Hanging Slat |
| 20 | 11049-005-000 | Chain Connector White | 43 | 15049-100-250 | Slat Weight 250mm for 10" Free Hanging Slat |
| 21 | 05069-000-000 | Tension Pulley | 44 | 15050-100-089 | Connecting Chain 89mm for 3.5" Free Hanging Slat |
| 22 | 05069-001-000 | Tension Pulley Bracket Hardware Kit | 45 | 15050-100-127 | Connecting Chain 127mm for 5" Free Hanging Slat |
| 23 | 00005-028-000 | White Job Tickets | | | |
| 24A | 00002-112-000 | Label – 3DB Logo Black | | | |
| 24B | 00002-114-000 | Label – 3DB Logo White | | | |

VERTICAL BLIND VALANCES - EXPLODED VIEW

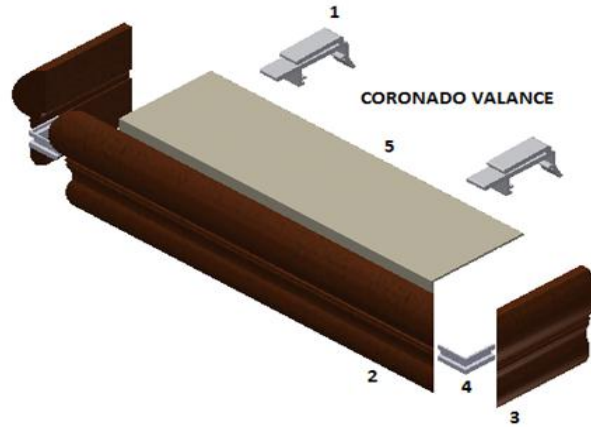


| Item | Part Number | Description |
|------|--------------------------------------|--------------------------------|
| 1 | 15046-100-000 | Valance Clip |
| 2 | 05944-040-035 | Montreal Valance 3.5" |
| 3 | 05945-100-000 Or 05945-040-000 | Montreal Valance Trim |
| 4 | 05947-000-000 | Montreal Valance Retainer Clip |
| 5 | 05910-000-000 | Metal Corner |
| 6 | VARIABLES | PVC Slat or Fabric Insert |

❖ Montreal Valance Clearance and Return Sizes

| Product | Slat | Ext Brackets | Mount | Clearance | Return Size |
|------------------|------|---------------|---------|-----------|-------------|
| Montreal Valance | 3.5" | N/A | Inside | N/A | 1 3/4" |
| | | 15039-XXX-089 | Outside | 3/8" | 4 7/8" |
| | | 15040-XXX-127 | Outside | 1" | 5 1/2" |

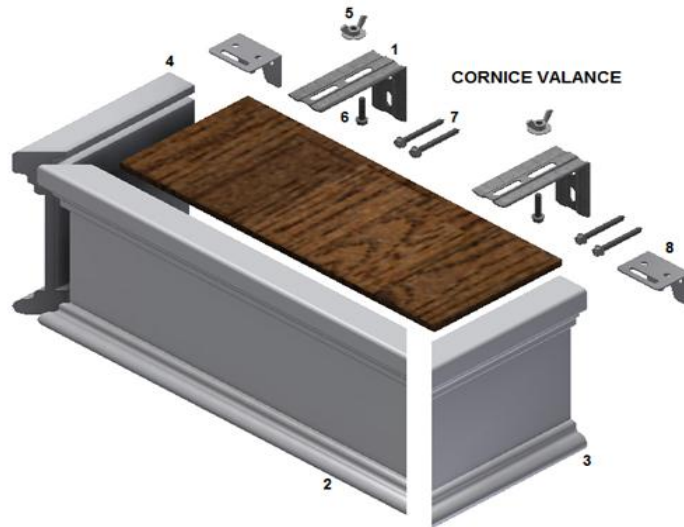
VERTICAL BLIND VALANCES - EXPLODED VIEW



| Item | Part Number | Description |
|------|---------------|-------------------------|
| 1 | 15046-100-000 | Valance Clip |
| 2 | 08420-XXX-000 | Coronado Valance |
| 3 | | Coronado Valance Return |
| 4 | 08970-001-000 | Valance Return Clip |
| 5 | 05943-001-000 | Coronado Dust Cover |

❖ Coronado Valance Clearance and Return Sizes

| Product | Slat | Ext Brackets | Mount | Clearance | Return Size |
|------------------|------|---------------|---------|-----------|-------------|
| Coronado Valance | 3.5" | N/A | Inside | N/A | 1 1/2" |
| | | 15039-XXX-089 | Outside | 3/8" | 4 1/8" |
| | | 15040-XXX-127 | Outside | 1" | 4 7/8" |

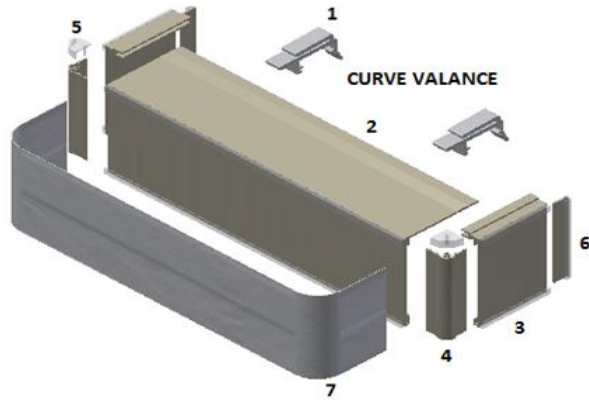


| Item | Part Number | Description |
|------|---------------|------------------------------------|
| 1 | 05211-000-000 | 3" L Bracket |
| 2 | | |
| 3 | Vanes | Cornice Valances |
| 4 | 08290-000-001 | 1" Dust Cover |
| | 08290-000-004 | 4" Dust Cover |
| | 08290-000-005 | 5" Dust Cover |
| 5 | 08754-000-000 | Wing Nut #8 |
| 6 | 08757-000-000 | Hex Washer Machine Screw 5/8" |
| 7 | 05972-000-000 | #6 1.5" Hex Screw |
| 8 | 08812-000-000 | Cornice 1x1 Angle Iron L - Bracket |

⊕ ❖ Cornice Valance Clearance and Return Sizes

| Product | Slat | Ext Brackets | Mount | Clearance | Return Size |
|-----------------|------|---------------|---------|-----------|-------------|
| Cornice Valance | 3.5" | 08812-000-000 | Inside | N/A | 1 1/4" |
| | | 15039-XXX-089 | Outside | 3/8" | 4 1/4" |
| | | 15040-XXX-127 | Outside | 1" | 5 1/4" |

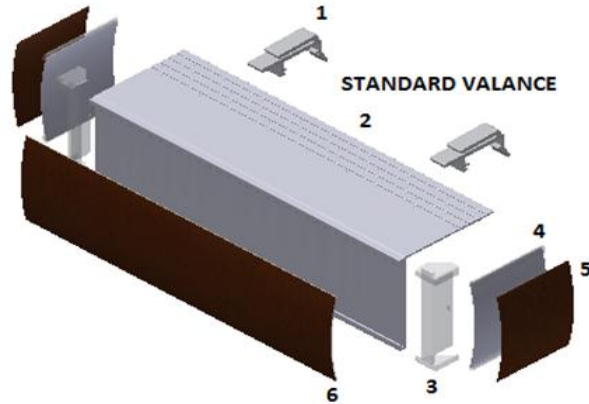
VERTICAL BLIND VALANCES - EXPLODED VIEW



| Item | Part Number | Description |
|------|---------------|---------------------------|
| 1 | 15046-100-000 | Valance Clip |
| 2 | 05942-000-000 | Curved Comer Valances |
| 3 | 05942-001-000 | Curved Comer Returns |
| 4 | 05183-000-000 | Curved Comers |
| 5 | | Clear Cap |
| 6 | N/A | Return Clip |
| 7 | VARIES | PVC Slat or Fabric Insert |

❖ Curved Valance Clearance and Return Sizes

| Product | Slat | Ext Brackets | Mount | Clearance | Return Size |
|----------------|------|---------------|---------|-----------|-------------|
| Curved Valance | 3.5" | N/A | Inside | N/A | 1 1/8" |
| | | 15039-XXX-089 | Outside | 3/8" | 3 5/8" |
| | | 15040-XXX-127 | Outside | 1" | 4 3/8" |



| Item | Part Number | Description |
|------|---------------|-----------------------|
| 1 | 15046-100-000 | Valance Clip |
| 2 | 05942-000-000 | Curved Comer Valances |
| 3 | 05182-000-000 | Closed Comer |
| 4 | 04910-040-000 | Returns |
| 5 | VARIES | PVC Slat |
| 6 | VARIES | PVC Slat |

❖ Standard Valance Clearance and Return Sizes

| Product | Slat | Ext Brackets | Mount | Clearance | Return Size |
|------------------|------|---------------|---------|-----------|-------------|
| Standard Valance | 3.5" | N/A | Inside | N/A | 1 1/2" |
| | | 15039-XXX-089 | Outside | 3/8" | 4 1/2" |
| | | 15040-XXX-127 | Outside | 1" | 5" |