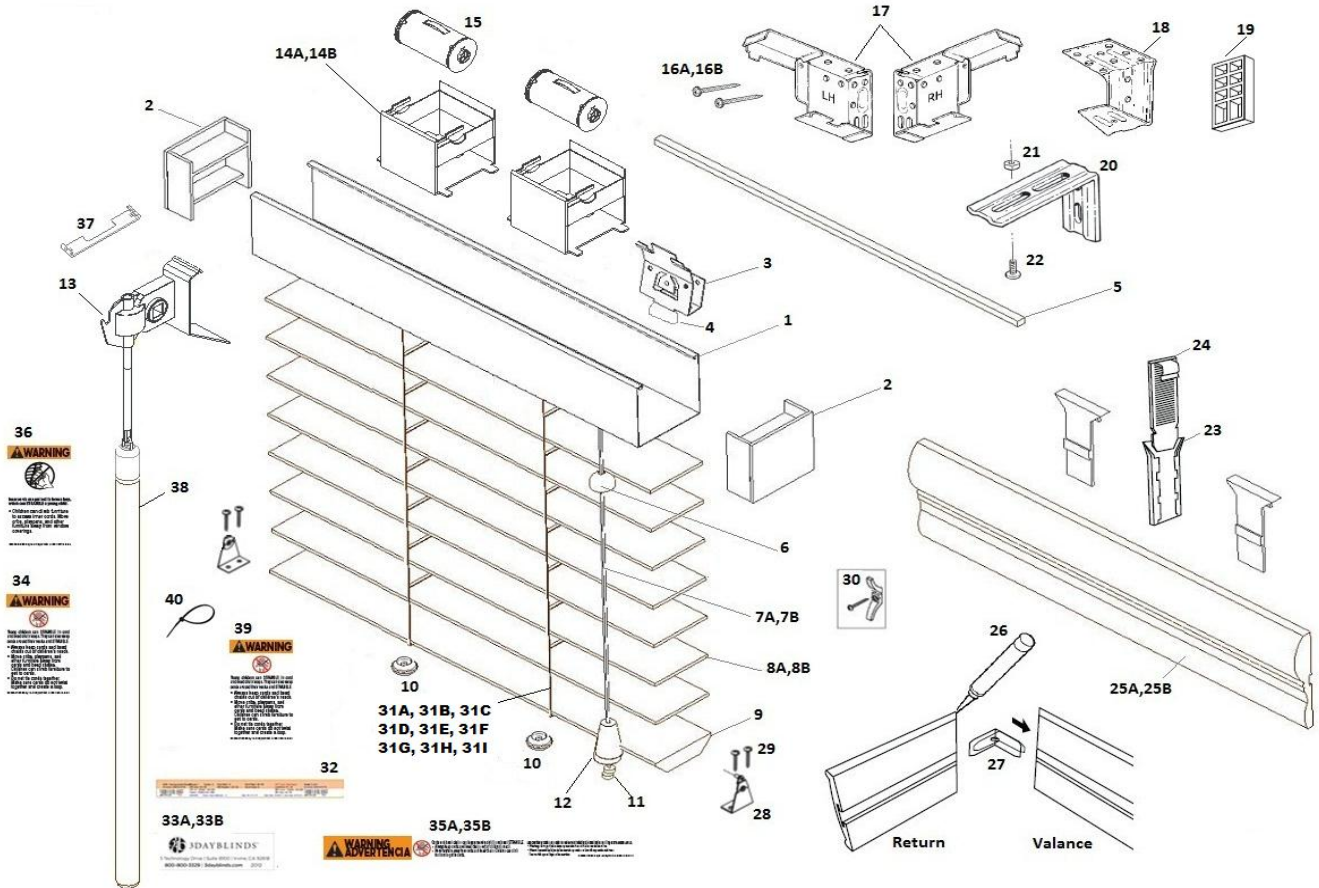


Faux Wood Blind Wand Tilter Standard & Lightless Ladders for 2 , 2.5 & Angled Slats



1.	HEAD RAIL	08610-XXX-000	24.	CORONADO ADJ. VALANCE SLIDE	08815-000-000
2.	HI PROFILE PLASTIC END STIFFENER	08814-000-000	25A.	* 2" STANDARD VALANCE	0843X-XXX-108
3.	2" WOOD CORDLOCK - 1.8 MM	08740-000-000	25B.	* 2.5" STANDARD VALANCE	08440-XXX-108
4.	1.5" CORD SEPARATOR	08700-000-000	25C.	* CORONADO VALANCE	08420-XXX-108
5.	2" TILTROD (SQUARE)	08620-000-000	26.	WOOD VALANCE GLUE	08994-000-000
6.	CORD COLLECTOR	08646-XXX-000	27.	VALANCE RETURN CLIP MEXICO	08970-001-000
7A.	1.8mm CORD	01800-XXX-000	28.	HOLD DOWN BRACKETS - 2" WOODS	08010-000-000
7B.	1.4mm CORD (LIGHTLESS)	01790-XXX-000	29.	HOLD DOWN BRACKET SCREWS	05971-000-000
8A.	* 2" FAUX SLAT	0833X-XXX-108	30.	CORD CLEAT SAFETY KIT	03320-000-000
8B.	* 2.5" FAUX SLAT	08310-XXX-108	31A.	* 53 MM 2" WOOD LADDER (2" SLAT & ANGLE SLAT)	08950-XXX-000
8C.	ANGLED SLAT	08340-XXX-108	31B.	** 2" VIR LADDER (2" LIGHTLESS UNCORDED)	08952-XXX-000
9.	BOTTOM RAIL TRAPEZOID	08508-XXX-000	31C.	** 52 MM SGL LOOPED LDR (2" LIGHTLESS)	08940-XXX-000
10.	2" TAPE BUTTOMS	08660-XXX-000	31D.	** 52 MM DBL LOOPED LDR (2" LIGHTLESS)	08820-XXX-000
11.	SAFETY CORD STOP-POLYCARBONATE	01380-000-000	31E.	* 2.5" VIRTUAL LADDER (2.5" SLAT)	08951-XXX-000
12.	TASSEL	08640-XXX-000	31F.	** 55 MM 2.5" LADDER (2.5" LIGHTLESS UNCORDED)	08953-XXX-000
13.	2" ASSEM. WAND TILTHER	08720-000-000	31G.	** 52 MM SGL LOOPED LDR (2" LIGHTLESS)	08941-XXX-000
14A.	* RIGHT ASSEMBLED SUPPORT - WAND	08784-000-000	31H.	** 52 MM DBL LOOPED LDR (2" LIGHTLESS)	08821-XXX-000
14B.	* LEFT ASSEMBLED SUPPORT - WAND	08783-000-000	31I.	* 47.5MM FAUX LADDER (ESSENTIAL ONLY)	08954-000-000
15.	ASSEMBLED TAPE DRUM	08670-000-000	32.	WHITE JOB TICKET	00005-028-000
16A.	* #8 1.5" HEX SCREW 5000	05973-000-000	33A.	* LABEL - 3DB LOGO BLACK	00002-112-000
16B.	* 2" #8 PHILLIPS HEX HEAD SCREW	08756-000-000	33B.	* LABEL - 3DB LOGO WHITE	00002-114-000
17.	END BRACKETS	07860-974-000	34.	TAG-INDIVIDUAL TASSEL WARNING	00002-212-000
18.	CENTER SUPPORTS	08870-XXX-000	35A.	* LABEL - CHILD SAFETY LONG	00002-118-000
19.	2" SPACER BLOCK	07810-XXX-000	35B.	* LABEL - CHILD SAFETY SHORT	00002-119-000
20.	3" L-BRACKET	08862-000-000	36.	TAG-INNER CORD STOP WARNING	00002-218-000
21.	SMALL BOLT W/ WASHER	05211-000-000	37.	* 2.5" TOP SLAT CLIP FOR WOODS (2.5" SLAT)	08813-000-000
22.	HEX MACHINE SCREW NUT	03390-000-000	38.	WAND	089XX-XXX-XXX
23.	CORONADO ADJ. VALANCE CLIP	05981-000-000	39.	TAG-CORD W/CONNECTOR (5.2.3)	00002-213-000
		08809-000-000	40.	BLACK ZIP TIE 5.5"	00013-186-000

* AS REQUIRED (A OR B OR C)

** AS REQUIRED (ANY COMBINATION A,B,C,D AND E)