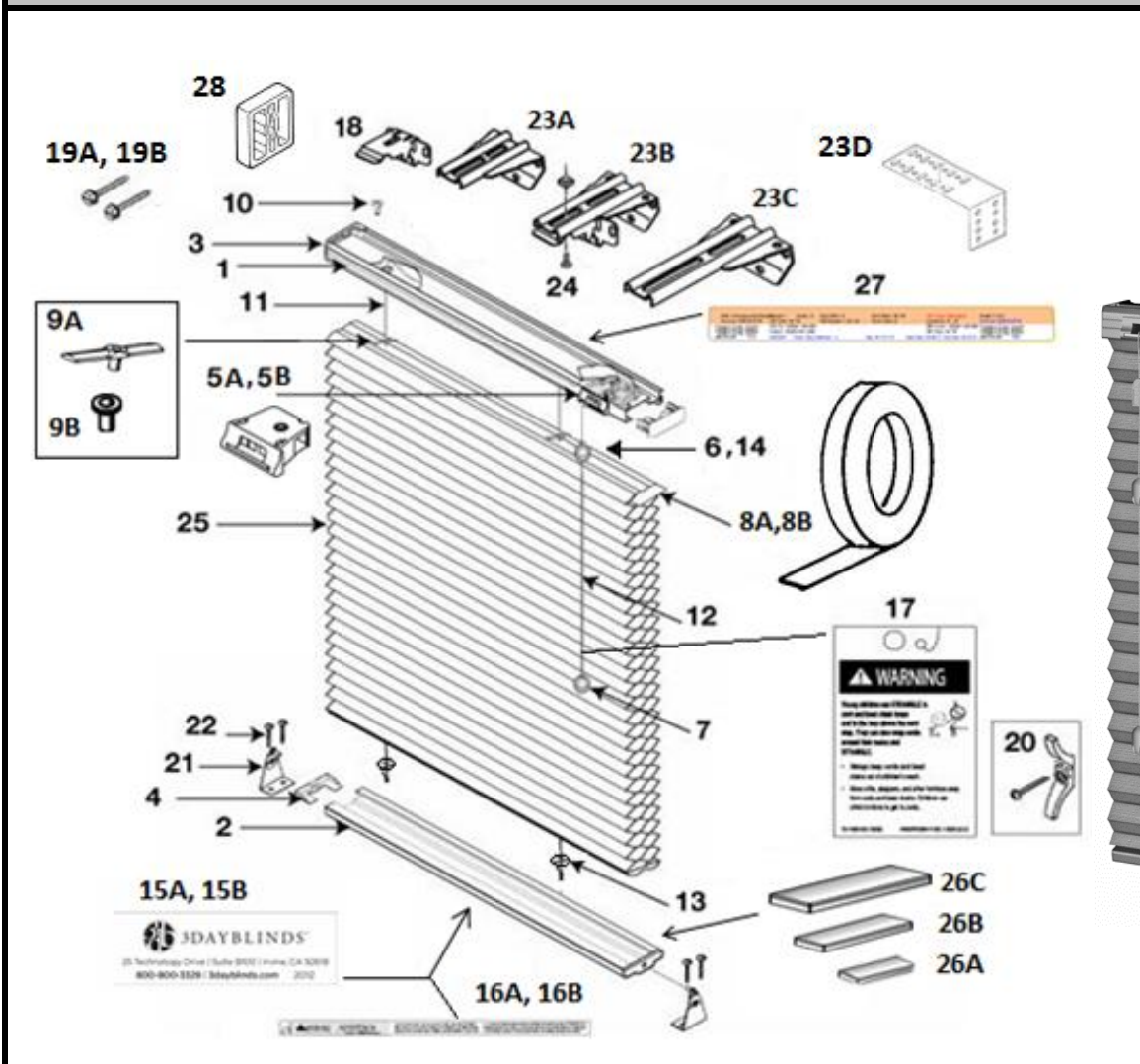


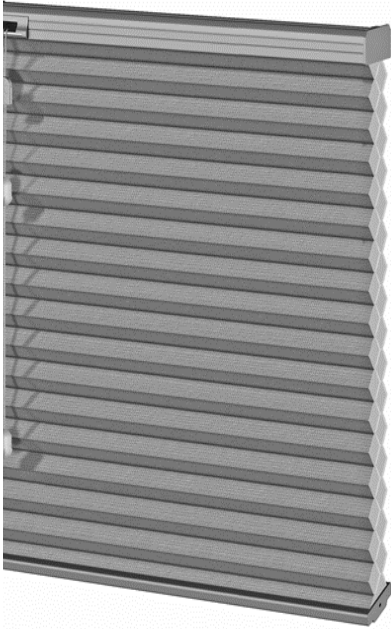
# STANDARD HONEYCOMB SHADE - PART # 03000-002



1.	HEADRAIL	17007-XXX-000	17.	STRANGULATION HAN
2.	BOTTOMRAIL	18300-XXX-000	18.	MOUNTING BRACKETS
3.	HEADRAIL END CAP	17008-XXX-000	19A.	* BAGGED SCREWS #
4.	BOTTOMRAIL END CAP	18301-XXX-000	19B	* 2" #8 PHILLIPS HEX F
5A.	* CORD LOCK - RIGHT	17009-XXX-000	20.	CORD CLEAT SAFETY
5B.	* CORD LOCK - LEFT	17010-XXX-000	21.	HOLD DOWN BRACKET
6.	STOP BALL	03340-000-000	22.	HOLD DOWN BRACKET
7.	TASSEL	03630-XXX-000	23A.	* PROJECTION BRACK
8A.	* FILLER STRIP	03039-001-000	23B.	* PROJECTION BRACK
8B.	* FILLER STRIP	03039-002-000	23C.	* PROJECTION BRACK
9A.	* CORD BUSHING	03292-001-000	23D.	* EXTENSION BRACKE
9B.	* EYELET CORD BUSHING	03043-100-000	24.	NUT AND BOLT SET
10.	HEADRAIL SCREW #6-32 x 1/4"	03027-001-000	25.	FABRIC
11.	1.2mm CORD	18225-XXX-000	26A.	** 3" STEEL WEIGHT
12.	1.8mm CORD	01800-XXX-000	26B.	** 5" STEEL WEIGHT

13.	NATURAL CARRIER WHEEL	05005-000-000	26C.	WHITE JOB TICKET
14.	5/32" SPLIT BEAD	05284-000-000	27.	WHITE JOB TICKET
15A.	* 3 DAY BLIND LOGO BLACK	00002-112-000	28.	2" SPACER BLOCK
15B.	* 3 DAY BLIND LOGO WHITE	00002-114-000		
16A.	* LABEL - CHILD SAFETY LONG	00002-111-000		* AS REQUIRED (A OR
16B.	* LABEL - CHILD SAFETY SHORT	00002-113-000		** AS REQUIRED (ANY

2-000



G TAG	00002-198-000
S	17301-000-000
3 x 1 1/4"	17400-000-000
HEAD SCREW	08756-000-000
KIT	03320-000-000
Γ	01672-000-000
Γ SCREW	05971-000-000
ET 2"	17302-000-000
ET 2 5/8"	17303-000-000
ET 3 1/2"	17304-000-000
T	06231-000-000
	17403-000-000
	VARIES
	03643-003-000
	03643-005-000

	00005-028-000
	00005-028-000
	08862-000-000
<b>B OR C OR D)</b>	
<b>COMBINATION A,B AND C)</b>	