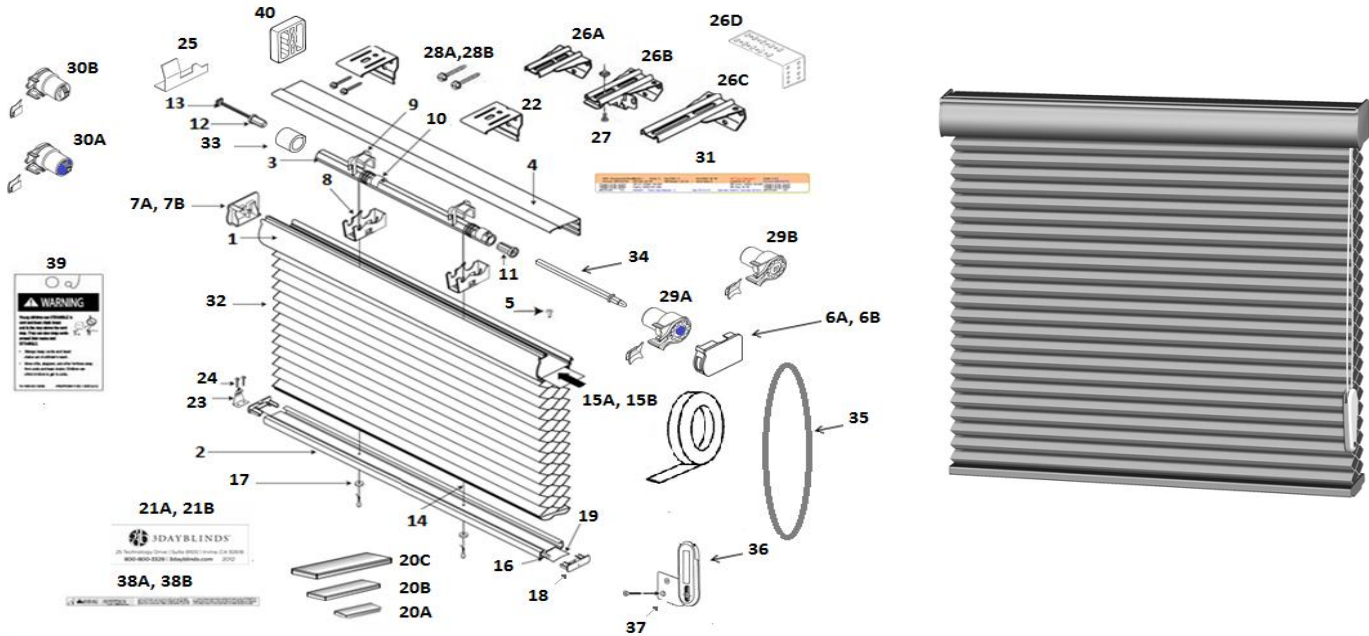


CONTINUOUS CORD LOOP HONEYCOMB SHADE



1.	HEADRAIL CCL/ CORDLESS	03031-XXX-000	22.	MOUNTING BRACKET	03027-041-000
2.	BOTTOMRAIL CCL/CORDLESS	03032-XXX-000	23.	HOLD DOWN BRACKET	01672-000-000
3.	ALUMINUM TUBE	03027-037-000	24.	HOLD DOWN BRACKET SCREW	05971-000-000
4.	DUST COVER	03027-036-000	25.	STEEL STOP CCL HEADRAIL	03027-025-000
5.	HEADRAIL SCREW #6-31x1/4"	03027-001-000	26A.	* PROJECTION BRACKET 2"	17302-000-000
6A.	CCL HEADRAIL END CAP - RIGHT	03037-XXX-000	26B.	* PROJECTION BRACKET 2 5/8"	17303-000-000
6B.	HEADRAIL END CAP - RIGHT	03033-XXX-000	26C.	* PROJECTION BRACKET 3 1/2"	17304-000-000
7A.	CCL HEADRAIL END CAP - LEFT	03038-XXX-000	26D.	* EXTENSION BRACKET	06231-000-000
7B.	HEADRAIL END CAP - LEFT	03034-XXX-000	27.	NUT AND BOLT SET	17403-000-000
8.	CRADLE	03027-033-000	28A.	* BAGGED SCREWS #6 x 1 1/4"	17400-000-000
9.	CRADLE COVER	03027-027-000	28B.	* 2" #8 PHILLIPS HEX HEAD SCREW	08756-000-000
10.	STEEL CORD CLIP	03027-035-000	29A.	* CLUTCH - 2.25 TO 1 - RIGHT (BLUE)	03027-031-000
11.	DRIVE PLUG	03027-026-000	29B.	* CLUTCH - 6 TO 1 - RIGHT (CLEAR)	03027-029-000
12.	THREADED END PLUG	03027-034-000	30A.	* CLUTCH - 2.25 TO 1- LEFT (BLUE)	03027-030-000
13.	THREADED ROD	03027-038-000	30B.	* CLUTCH - 6 TO 1- LEFT (CLEAR)	03027-028-000
14.	LIFT CORD (0.9mm w/FILLER)	06190-100-000	31.	WHITE JOB TICKET	00005-028-000
15A.	FILLER STRIP	03039-001-000	32.	FABRIC	VARIES
15B.	FILLER STRIP	03039-002-000	33.	DIE CAST STOP FOR CCL TUBE	03027-024-000
16.	TILT ROD	08621-000-000	34.	CCL DRIVE SHAFT	03027-040-000
17.	NATURAL CARRIER WHEEL	05005-000-000	35.	CCL CORD	06680-XXX-XXX
18.	BOTTOMRAIL END CAPS	03035-XXX-000		CCL CORD	18220-XXX-XXX
19.	ALUMINUM SLAT - 1"	03039-XXX-000	36.	TENSION PULLEY	05069-XXX-000
20A.	** 3" STEEL WEIGHT	03643-003-000	37.	TENSION PULLEY BRACKET KIT	05069-001-000
20B.	** 5" STEEL WEIGHT	03643-005-000	38A.	* LABEL - CHILD SAFETY LONG	00002-111-000
20C.	** 9" STEEL WEIGHT	03643-009-000	38B.	* LABEL - CHILD SAFETY SHORT	00002-113-000
21A.	* 3 DAY BLIND LOGO BLACK	00002-112-000	39.	STRANGULATION HANG TAG	00002-199-000
21B.	* 3 DAY BLIND LOGO WHITE	00002-114-000	40.	3/8" MOUNTING SPACER	01680-000-000

* AS REQUIRED (A OR B OR C)

** AS REQUIRED (ANY COMBINATION A,B,C)