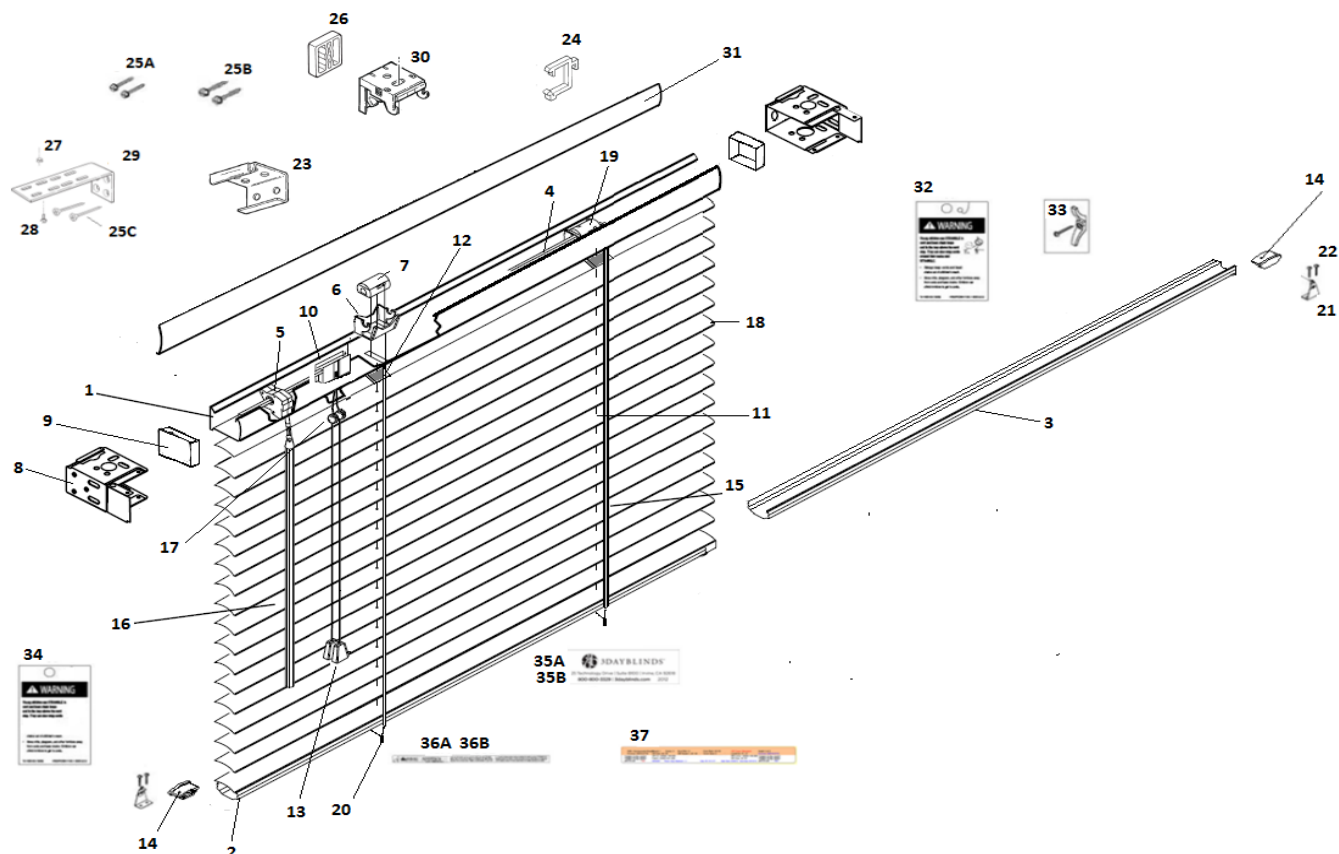


Essentials Metal Blind Exploded View



1	MINI H/R	01010-XXX-000	22	1" PHILLIPS SCREW	05971-000-000
2	NEW ULTIMA B/R	01140-XXX-000	23	MINI MOUNTING PACKAGE	01700-000-000
3	ULTIMA RUB STRIP	01150-XXX-000	24	ESSENTIALS VALANCE CLIP	01822-000-000
4	1" TILTROD	01730-000-000	25A	* #6 1.5" HEX SCREW	05972-000-000
5	1" TILTER SET (COMPLETE)	01640-000-000	25B	* 2" #8 PHILLIPS HEX HEAD SCREW	08756-000-000
6	1" TAPE ROLLER - SUPPORT	01550-000-000	25C	* #8 X 1.5" PH. FLAT HD WD SCREW	01331-000-000
7	1" TAPE ROLLER - OPEN	01490-000-000	26	3/8" MOUNTING SPACER	01680-000-000
8	MINI END BRACKET	01280-XXX-000	27	6/32 HEX MACHINE SCREW NUT	05981-000-000
9	H/R END CAP	01210-001-000	28	5/16" PAN HEAD SCREW-6/32 THR.	01332-000-000
10	1" CORDLOCK SET (COMPLETE)	01650-000-000	29	ULTIMA SUPPORT 4" EXT. BRACKET	01330-000-000
11	1.4 MM CORD	01790-XXX-000	30	MINI MOUNTING PACKAGE	01270-000-000
12	TAPE SPACER	01750-000-000	31	VALANCE	01060-XXX-000
13	OVAL TASSEL - TRANSLUCENT	01100-001-000	32	TAG-INDIVIDUAL TASSEL WARNING	00002-076-000
14	ULTIMA B/R E.C	01190-XXX-000	33	CORD CLEAT SAFETY KIT	03320-000-000
15	22.5 MM LADDER	01850-XXX-000	34	TAG-INNER CORD STOP WARNING	00002-201-000
16	1" PLASTIC WAND	01910-000-XXX	35A	* LABEL - 3DB LOGO WHITE	00002-114-000
17	SAFETY CORD STOP-POLYCARBONATE	01380-000-000	35B	* LABEL - 3DB LOGO BLACK	00002-112-000
18	6 GAUGE SLAT	01060-XXX-000	36A	* LABEL - CHILD SAFETY LONG	00002-111-000
19	1" TAPE ROLLER - CLOSED	01450-000-000	36B	* LABEL - CHILD SAFETY SHORT	00002-113-000
20	GROMMET	07850-000-000	37	WHITE JOB TICKET	00005-028-000
21	HOLD DOWN BRACKET (PLASTIC)	01672-000-000		* AS REQUIRED (A OR B OR C)	