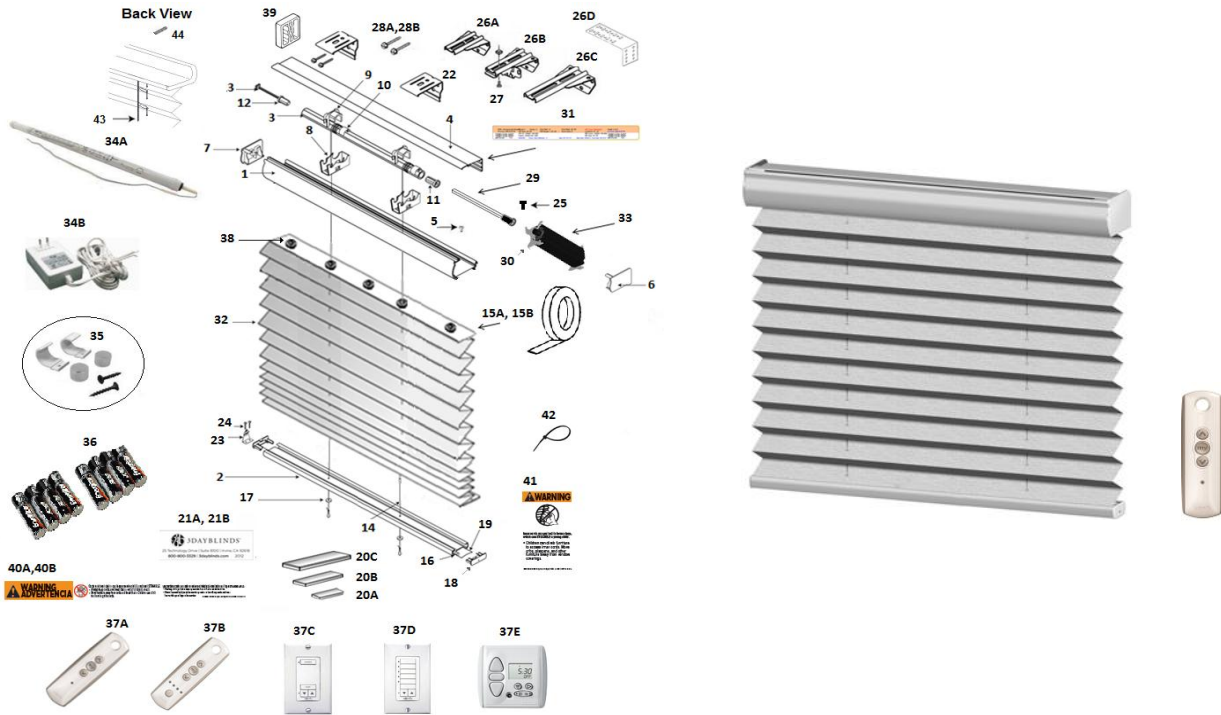


MOTORIZED PLEATED SHADE



1.	HEADRAIL CCL/ CORDLESS	03031-XXX-000	26B.	* PROJECTION BRACKET 2 5/8"	17303-000-000
2.	BOTTOMRAIL CCL/CORDLESS	03032-XXX-000	26C.	* PROJECTION BRACKET 3 1/2"	17304-000-000
3.	ALUMINUM TUBE	03027-037-000	26D.	* EXTENSION BRACKET	06231-000-000
4.	DUST COVER	03027-036-000	27.	NUT AND BOLT SET	17403-000-000
5.	HEADRAIL SCREW #6-31x1/4"	03027-001-000	28A.	* BAGGED SCREWS #6 x 1 1/4"	17400-000-000
6.	HEADRAIL END CAP - RIGHT	03033-XXX-000	28B.	* 2" #8 PHILLIPS HEX HEAD SCREW	08756-000-000
7.	HEADRAIL END CAP - LEFT	03034-XXX-000	29.	MOTORIZED DRIVE SHAFT	03159-002-000
8.	CRADLE	03027-033-000	30.	MOTOR ADAPTER FEET	03159-003-000
9.	CRADLE COVER	03027-027-000	31.	WHITE JOB TICKET	00005-028-000
10.	STEEL CORD CLIP	03027-035-000	32.	FABRIC	VARIES
11.	DRIVE PLUG	03027-026-000	33.	CT32RTS MOTOR	03859-000-000
12.	THREADED END PLUG	03027-034-000	34A.	RELOADABLE BATTERY TUBE	03156-000-000
13.	THREADED ROD	03027-038-000	34B.	* 12 VOLT PLUG - IN TRANSFORMER	03864-000-000
14.	LIFT CORD (0.9mm w/FILLER)	06190-XXX-000	35.	WALL MOUNT CLIPS BATTERY TUBE	08817-000-000
15A.	FILLER STRIP 1.365" 2-SIDED	03039-003-000	36.	AA LITHIUM BATTERIES	06482-000-000
15B.	FILLER STRIP 0.9 " 2-SIDED	03039-004-000	37A.	* SINGLE CHANNEL TELIS	07906-000-000
16.	TILT ROD	08621-000-000	37B.	* 5 CHANNEL TELIS	03152-000-000
17.	NATURAL CARRIER WHEEL	05005-000-000	37C.	* RTS WALL SWITCH SINGLE CHANNEL	03157-000-000
18.	BOTTOMRAIL END CAPS	03035-XXX-000	37D.	* RTS WALL SWITCH 5 CHANNEL	03153-000-000
19.	ALUMINUM SLAT - 1"	03039-XXX-000	37E.	* CHRONIS 24/7 PROGRAMMABLE	03158-000-000
20A.	** 3" STEEL WEIGHT	03643-003-000	38.	CORD GUIDE EYELET	17404-000-000
20B.	** 5" STEEL WEIGHT	03643-005-000	39.	3/8" MOUNTING SPACER	01680-000-000
20C.	** 9" STEEL WEIGHT	03643-009-000	40A.	CHILD WARNING LABEL-LONG	00002-118-000
21A.	* 3 DAY BLIND LOGO BLACK	00002-112-000	40B.	CHILD WARNING LABEL-SHORT	00002-119-000
21B.	* 3 DAY BLIND LOGO WHITE	00002-114-000	41.	TAG-CORDLESS HORIZONTAL & PLEATED	00002-218-000
22.	MOUNTING BRACKET	03027-041-000	42.	BLACK ZIP TIE 5.5"	00013-186-000
23.	HOLD DOWN BRACKET	01672-000-000	43.	2" EVEN PLEAT - <i>Only for 2" Pleated</i>	06192-XXX-000
24.	HOLD DOWN BRACKET SCREW	05971-000-000	44.	LADDER CLIP (SNIVEY) - <i>Only for 2" Pleated</i>	17406-000-000
25.	SCREW MOTORIZED SHAFT	03159-001-000			
26A.	* PROJECTION BRACKET 2"	17302-000-000			
* AS REQUIRED (A OR B OR C OR D OR E)			** AS REQUIRED (ANY COMBINATION A,B,C,D AND E)		