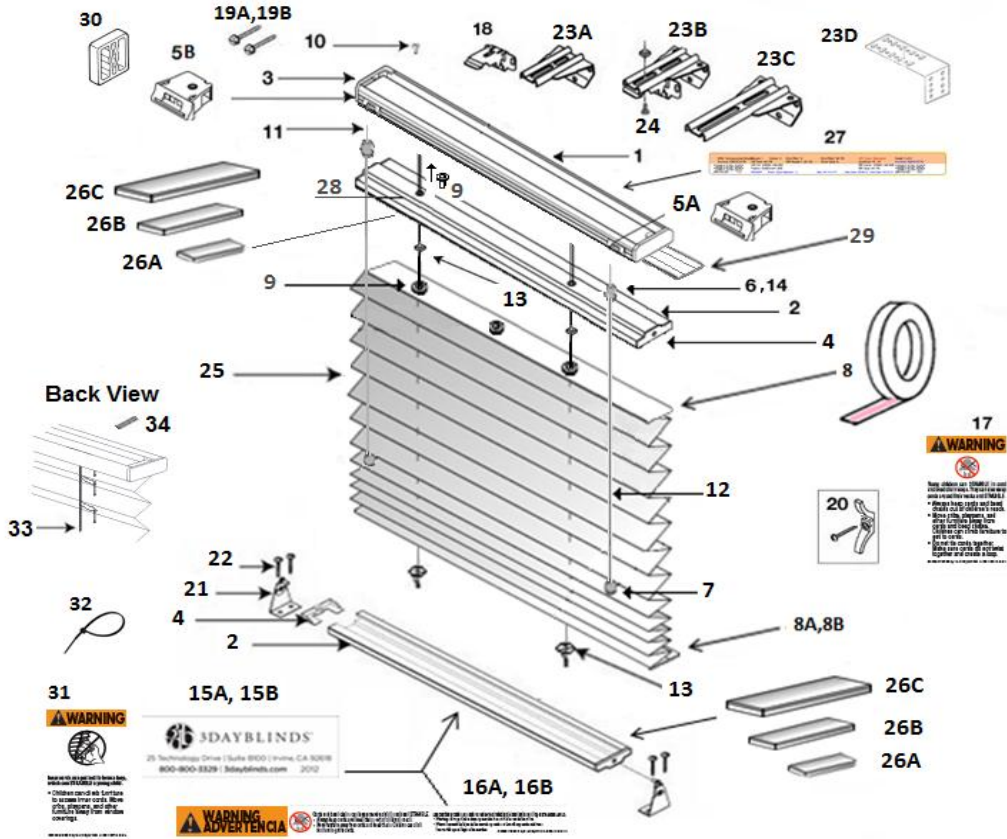


2" TOP DOWN BOTTOM UP PLEATED SHADE



1.	HEADRAIL	06061-XXX-000	20.	CORD CLEAT SAFETY KIT	03320-000-000
2.	BOTTOMRAIL	06062-XXX-000	21.	HOLD DOWN BRACKET	01672-000-000
3.	HEADRAIL END CAP	06063-XXX-000	22.	HOLD DOWN BRACKET SCREW	05971-000-000
4.	BOTTOMRAIL END CAP	06064-XXX-000	23A.	* PROJECTION BRACKET 2"	17302-000-000
5A.	CORD LOCK - RIGHT	17009-XXX-000	23B.	* PROJECTION BRACKET 2 5/8"	17303-000-000
5B.	CORD LOCK - LEFT	17010-XXX-000	23C.	* PROJECTION BRACKET 3 1/2"	17304-000-000
6.	STOP BALL	03340-000-000	23D.	* EXTENSION BRACKET	06231-000-000
7.	TASSEL	03630-XXX-000	24.	NUT AND BOLT SET	17403-000-000
8.	P.S. 3/4" POLYPROPYLENE SLAT	06065-000-000	25.	FABRIC	VARIABLES
9.	CORD GUIDE EYELET	17404-000-000	26A.	** 3" STEEL WEIGHT	03643-003-000
10.	P.S. 3/4" HEADRAIL SCREW #6 3/8"	06066-000-000	26B.	** 5" STEEL WEIGHT	03643-005-000
11.	0.9mm CORD	06190-XXX-000	26C.	** 9" STEEL WEIGHT	03643-009-000
12.	1.8mm CORD	01800-XXX-000	27.	WHITE JOB TICKET	00005-028-000
13.	NATURAL CARRIER WHEEL	05005-000-000	28.	CORD GUIDE BUTTON	17407-000-000
14.	5/32" SPLIT BEAD	05284-000-000	29.	P.S. 3/4" TBU PLASTIC INSERT	06068-000-000
15A.	* 3 DAY BLIND LOGO BLACK	00002-112-000	30.	2" SPACER BLOCK	08862-000-000
15B.	* 3 DAY BLIND LOGO WHITE	00002-114-000	31.	TAG-CORDLESS HORIZONTAL & PLEATED	00002-218-000
16A.	* LABEL - CHILD SAFETY LONG	00002-118-000	32.	BLACK ZIP TIE 5.5"	00013-186-000
16B.	* LABEL - CHILD SAFETY SHORT	00002-119-000	33.	2" EVEN PLEAT	06192-XXX-000
17.	TAG-CORD W/CONNECTOR (5.2.3)	00002-213-000	34.	LADDER CLIP (SNIVEY)	17406-000-000
18.	MOUNTING BRACKETS	06067-000-000			
19A.	* BAGGED SCREWS #6 x 1 1/4"	17400-000-000			
19B.	* 2" #8 PHILLIPS HEX HEAD SCREW	08756-000-000			

* AS REQUIRED (A OR B OR C OR D)

** AS REQUIRED (ANY COMBINATION A,B AND C)