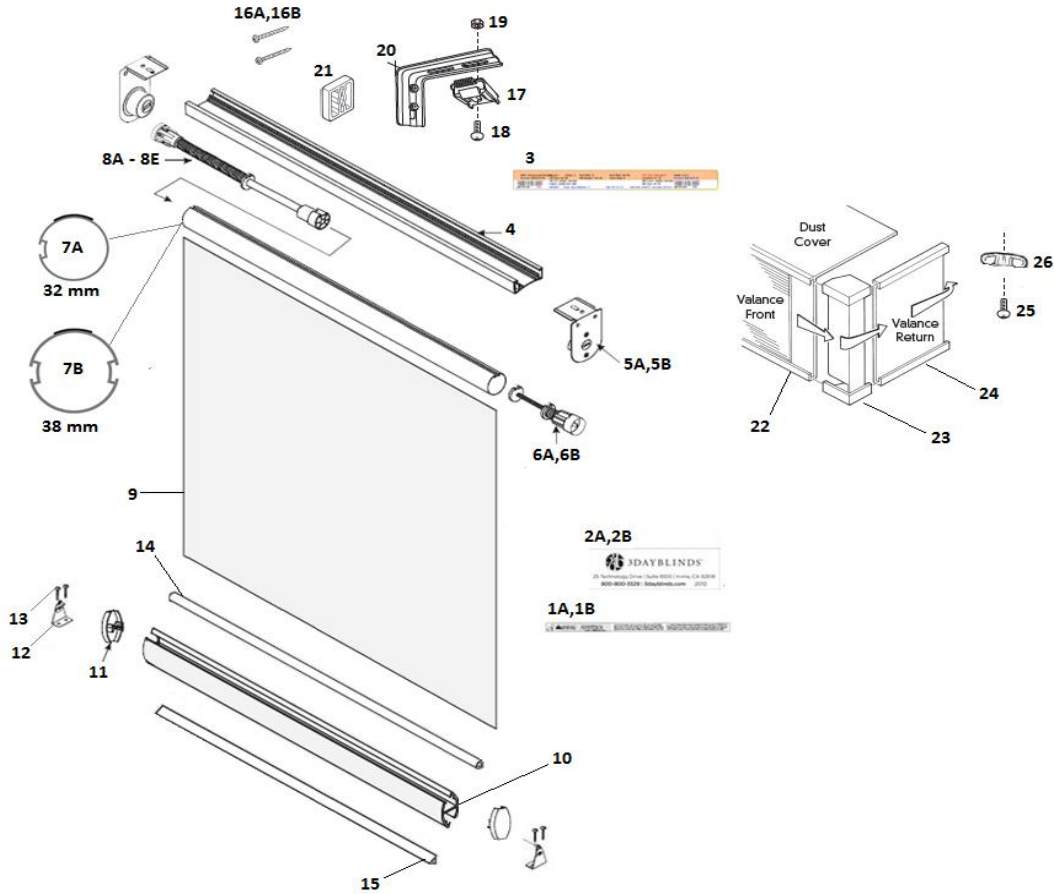


Roller Shade Cordless Exploded View



1A	* LABEL - CHILD SAFETY LONG	00002-111-000	14	BOTTOMRAIL-LARGE ROUND PROFILE	07143-000-000
1B	* LABEL - CHILD SAFETY SHORT	00002-113-000	15	BOTTOMRAIL-TRIANGULAR PROFILE	07144-000-000
2A	* 3 DAY BLIND LOGO BLACK	00002-112-000	16A	* #6 1.5" HEX SCREW	05972-000-000
2B	* 3 DAY BLIND LOGO WHITE	00002-114-000	16B	* 2" #8 PHILLIPS HEX HEAD	08756-000-000
3	WHITE JOB TICKET	00005-028-000	17	MOUNTING BRACKET AND SCREW	07157-000-000
4	R.S. CORDLESS BOTTOMRAIL-POLAR WHITE	07141-000-000	18	6 - 32x3/8 MACHINE SCREWS ROUND HEAD	11020-000-000
5A	* ROLLER BRACKETS -END CAP-32MM	07154-000-000	19	6 - 32 HEX NUT ZINC PLATED	11021-000-000
5B	* ROLLER BRACKETS -END CAP-38MM	07166-000-000	20	3" L-BRACKET	05211-000-000
6A	* STOPPER-32MM	07153-000-000	21	3/8" MOUNTING SPACER	01680-000-000
6B	* STOPPER-38MM	07165-000-000	22	STANDARD VALANCE	05940-000-000
7A	* ROLLER TUBE-32MM	07152-000-000	23	VALANCE CORNER - OPEN	05180-000-000
7B	* ROLLER TUBE-38MM	07164-000-000	24	IVORY GROOVER W/UV - FOR FAB.	04930-000-000
8A	* MODULE ASSEMBLY-32MM 1.0 X 180	07145-000-000	25	SCREW - (PHIL TRUSS)	05982-000-000
8B	* MODULE ASSEMBLY-32MM 1.0 X 260	07146-000-000	26	WING NUT # 10	05984-000-000
8C	* MODULE ASSEMBLY 38MM 1.4 x 400	07161-000-000			
8D	* MODULE ASSEMBLY 38MM 1.6 x 450	07162-000-000			
8E	* MODULE ASSEMBLY 38MM 1.7 x 459	07163-000-000			
9	FABRIC	VARIABLES			
10	R.S. BOTTOMRAIL	07141-XXX-000			
11	END CAPS - R.S. BOTTOMRAIL	07151-000-000			
12	HOLD DOWN BRACKET (PLASTIC)	01672-000-000			
13	1" PHILLIPS SCREW	05971-000-000			
* AS REQUIRED (A OR B OR C OR D OR E)			Note: For 32mm Roller tube only use 32 mm components For 38mm Roller tube only use 38 mm components		