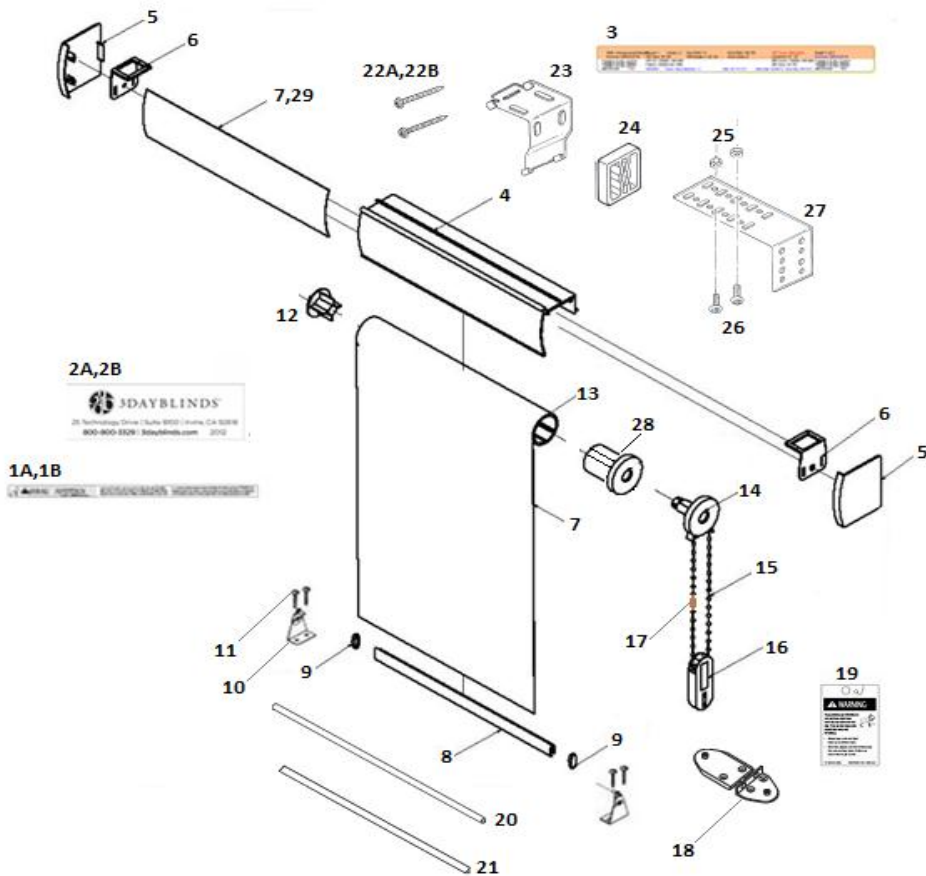


## Roller Shade Deluxe Width < 60" Exploded View



1A	* LABEL - CHILD SAFETY LONG	00002-111-000	21	BOTTOMRAIL-TRIANGULAR PROFILE	07144-000-000
1B	* LABEL - CHILD SAFETY SHORT	00002-113-000	22A	* #6 1.5" HEX SCREW	05972-000-000
2A	* 3 DAY BLIND LOGO BLACK	00002-112-000	22B	* 2" #8 PHILLIPS HEX HEAD	08756-000-000
2B	* 3 DAY BLIND LOGO WHITE	00002-114-000	23	1.5" MOUNTING BRACKET	03023-000-001
3	WHITE JOB TICKET	00005-028-000	24	3/8" MOUNTING SPACER	01680-000-000
4	R.S. VALANCE H/R - CASS 80	07019-XXX-000	25	WING NUT #10	05984-000-000
5	UNIVERSAL END CAP - CASS 80	07018-XXX-000	26	SCREW - (PHIL TRUSS)	05982-000-000
6	BRACKET PROJECTION-1" CASS 80	07011-565-000	27	3" L-BRACKET	05211-000-000
7	FABRIC	VARIES	28	1-1/4" ADAPTER	07010-XXX-000
8	R.S. BOTTOMRAIL	07141-XXX-000	29	RS FILLER STRIP-2-9/16" WIDE	07143-002-000
9	END CAPS - R.S. BOTTOMRAIL	07151-000-000			
10	HOLD DOWN BRACKET (PLASTIC)	01672-000-000			
11	1" PHILLIPS SCREW	05971-000-000			
12	END PLUGS - 30LBS	07009-XXX-000			
13	1 1/4 INCH TUBE-16FT	07001-000-144			
14	R.S. CLUTCH- SL 10	07002-XXX-000			
15A	* R.S. CHAIN - STEEL- #10 NICKEL PLTD	07171-561-000			
15B	* 6MM PLASTIC CHAIN	07172-XXX-000			
16	TENSION PULLEY BEAD CHAN	05079-XXX-000			
17A	* R.S. CHAIN CONNECTOR - METAL	07181-561-000			
17B	* #10 CHAIN CONNECTOR	11049-XXX-000			
18	TENSION PULLEY BEAD MOUNTING KIT	05079-001-000			
19	TAG-TENSION DEVICE WARNING	00002-199-000			
20	BOTTOMRAIL-LARGE ROUND PROFILE	07143-000-000			

\* AS REQUIRED (A OR B OR C)

\*\* AS REQUIRED (ANY COMBINATION A,B,C)