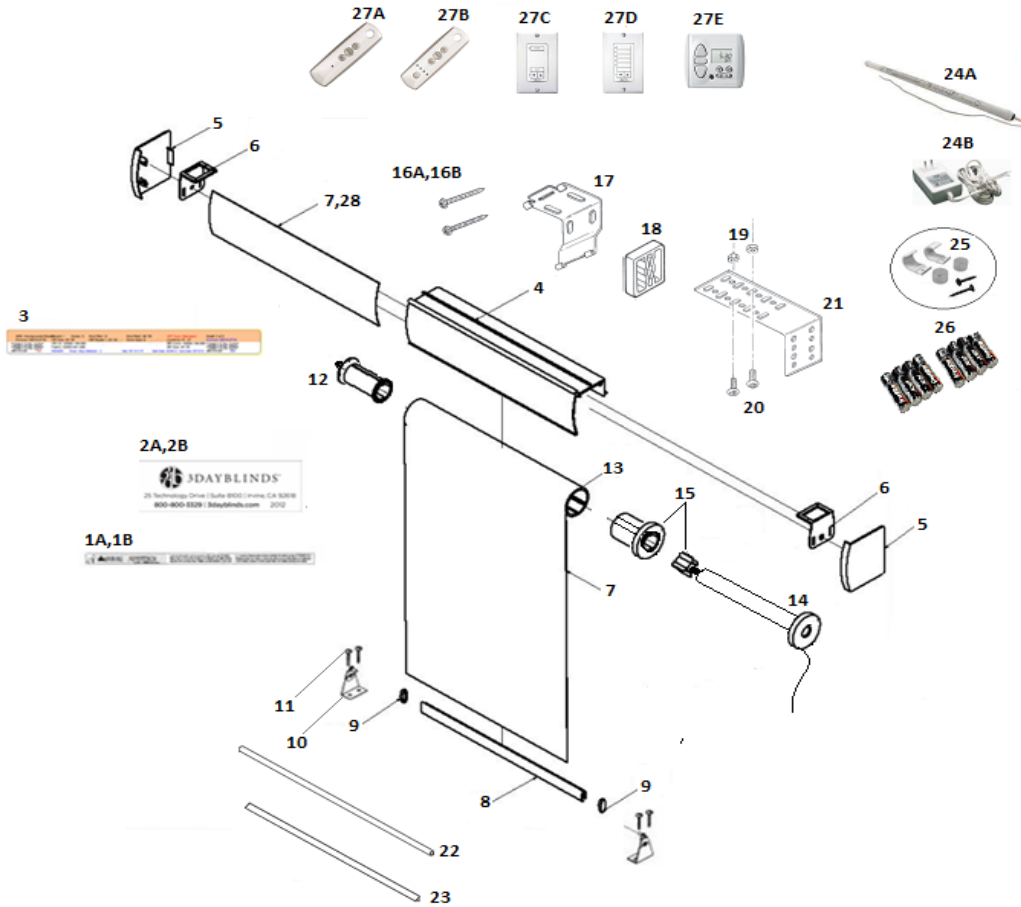


## Roller Shade Deluxe Oversize Motorized Exploded View



1A	* LABEL - CHILD SAFETY LONG	00002-111-000	22	BOTTOMRAIL-LARGE ROUND PROFILE	07143-000-000
1B	* LABEL - CHILD SAFETY SHORT	00002-113-000	23	BOTTOMRAIL-TRIANGULAR PROFILE	07144-000-000
2A	* 3 DAY BLIND LOGO BLACK	00002-112-000	24A	* RELOADABLE BATTERY TUBE	03156-000-000
2B	* 3 DAY BLIND LOGO WHITE	00002-114-000	24B	* 12 VOLT PLUG - IN TRANSFORMER	03864-000-000
3	WHITE JOB TICKET	00005-028-000	25	WALL MOUNT CLIPS BATTERY TUBE	08817-000-000
4	R.S. VALANCE H/R - CASS 120	07017-XXX-000	26	AA LITHIUM BATTERIES	06482-000-000
5	UNIVERSAL END CAP - CASS 120	07016-XXX-000	27A	* SINGLE CHANNEL TELIS	07906-000-000
6	MOUNTING BRACKET-CASS 120- 1 1/5"	07015-563-000	27B	* 5 CHANNEL TELIS	03152-000-000
7	FABRIC	VARIABLES	27C	* RTS WALL SWITCH SINGLE CHANNEL	03157-000-000
8	R.S. BOTTOMRAIL	07141-XXX-000	27D	* RTS WALL SWITCH 5 CHANNEL	03153-000-000
9	END CAPS - R.S. BOTTOMRAIL	07151-000-000	27E	* CHRONIS 24/7 PROGRAMMABLE	03158-000-000
10	HOLD DOWN BRACKET (PLASTIC)	01672-000-000	28	RS FILLER STRIP-4-1/16" WIDE	07143-004-000
11	1" PHILLIPS SCREW	05971-000-000			
12	END PLUGS - 100LBS	07008-XXX-000			
13	1.5" TUBE 12 FT	18041-001-000			
14	LT30 RTS	07183-000-000			
15	CROWN AND DRIVE TUBE ADAPTERS	07182-000-000			
16A	* #6 1.5" HEX SCREW	05972-000-000			
16B	* 2" #8 PHILLIPS HEX HEAD	08756-000-000			
17	MOUNTING BRACKET-CASS 120	07015-XXX-000			
18	2" SPACER BLOCK	08862-000-000			
19	Wing Nut #10	05984-000-000			
20	SCREW - (PHIL TRUSS)	05982-000-000			
21	3" L-BRACKET	05211-000-000			

\* AS REQUIRED (A OR B OR C)

\*\* AS REQUIRED (ANY COMBINATION A,B,C)