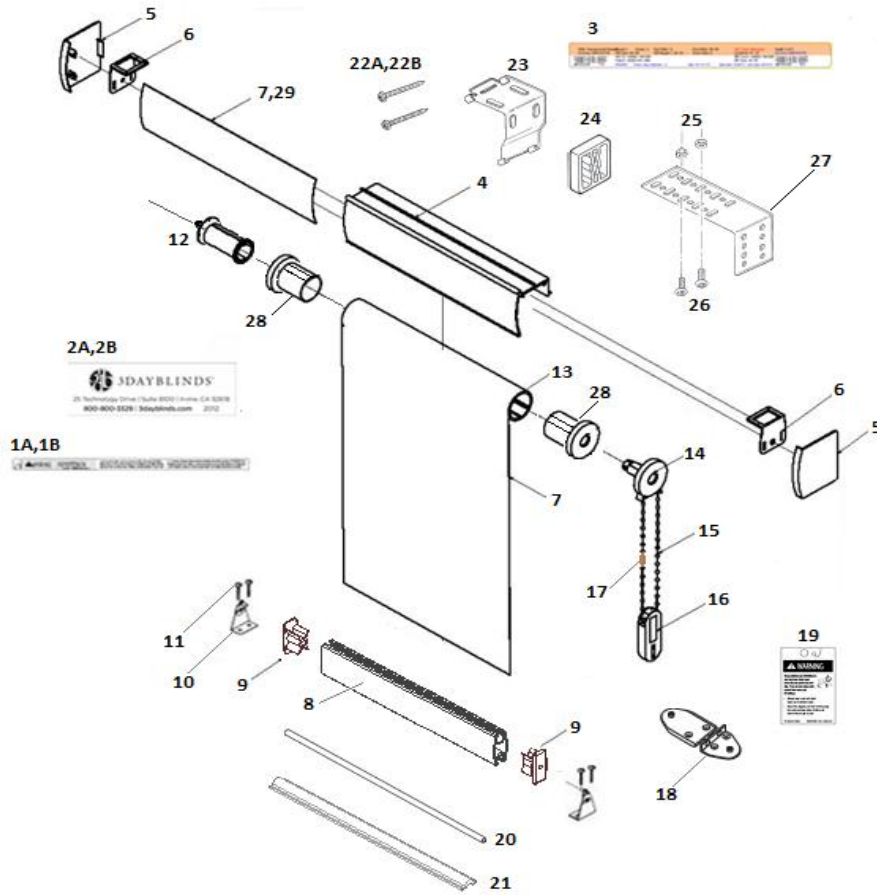


Roller Shade Deluxe Oversize Width > 90 1/8" Exploded View



1A	* LABEL - CHILD SAFETY LONG	00002-111-000	21	R.S. V SHAPE SPLINE	07124-000-000
1B	* LABEL - CHILD SAFETY SHORT	00002-113-000	22A	* #6 1.5" HEX SCREW	05972-000-000
2A	* 3 DAY BLIND LOGO BLACK	00002-112-000	22B	* 2" #8 PHILLIPS HEX HEAD	08756-000-000
2B	* 3 DAY BLIND LOGO WHITE	00002-114-000	23	MOUNTING BRACKET-CASS 120	07015-XXX-000
3	WHITE JOB TICKET	00005-028-000	24	2" SPACER BLOCK	08862-000-000
4	R.S. VALANCE H/R - CASS 120	07017-XXX-000	25	Wing Nut #10	05984-000-000
5	UNIVERSAL END CAP - CASS 120	07016-XXX-000	26	SCREW - (PHIL TRUSS)	05982-000-000
6	MOUNTING BRACKET-CASS 120- 1 1/5"	07015-563-000	27	3" L-BRACKET	05211-000-000
7	FABRIC	VARIES	28	ADAPTOR - 2 IN	07007-101-000
8	R.S. BOTTOM RAIL	07121-XXX-000	29	RS FILLER STRIP-4-1/16" WIDE	07143-004-000
9	R.S. BOTTOMRAIL END CAP	07122-XXX-000			
10	HOLD DOWN BRACKET (PLASTIC)	01672-000-000			
11	1" PHILLIPS SCREW	05971-000-000			
12	END PLUGS - 100LBS	07008-XXX-000			
13	2 INCH TUBE-16 FT	07002-000-192			
14	R.S. CLUTCH- SL 20	07003-XXX-000			
15A	* R.S. CHAIN - STEEL- #10 NICKEL PLTD	07171-561-000			
15B	* 6MM PLASTIC CHAIN	07172-XXX-000			
16	TENSION PULLEY BEAD CHAN	05079-XXX-000			
17A	* R.S. CHAIN CONNECTOR - METAL	07181-561-000			
17B	* #10 CHAIN CONNECTOR	11049-XXX-000			
18	TENSION PULLEY BEAD MOUNTING KIT	05079-001-000			
19	TAG-TENSION DEVICE WARNING	00002-199-000			
20	R.S. ROUND SPLINE	07123-000-000			

* AS REQUIRED (A OR B OR C)

** AS REQUIRED (ANY COMBINATION A,B,C)