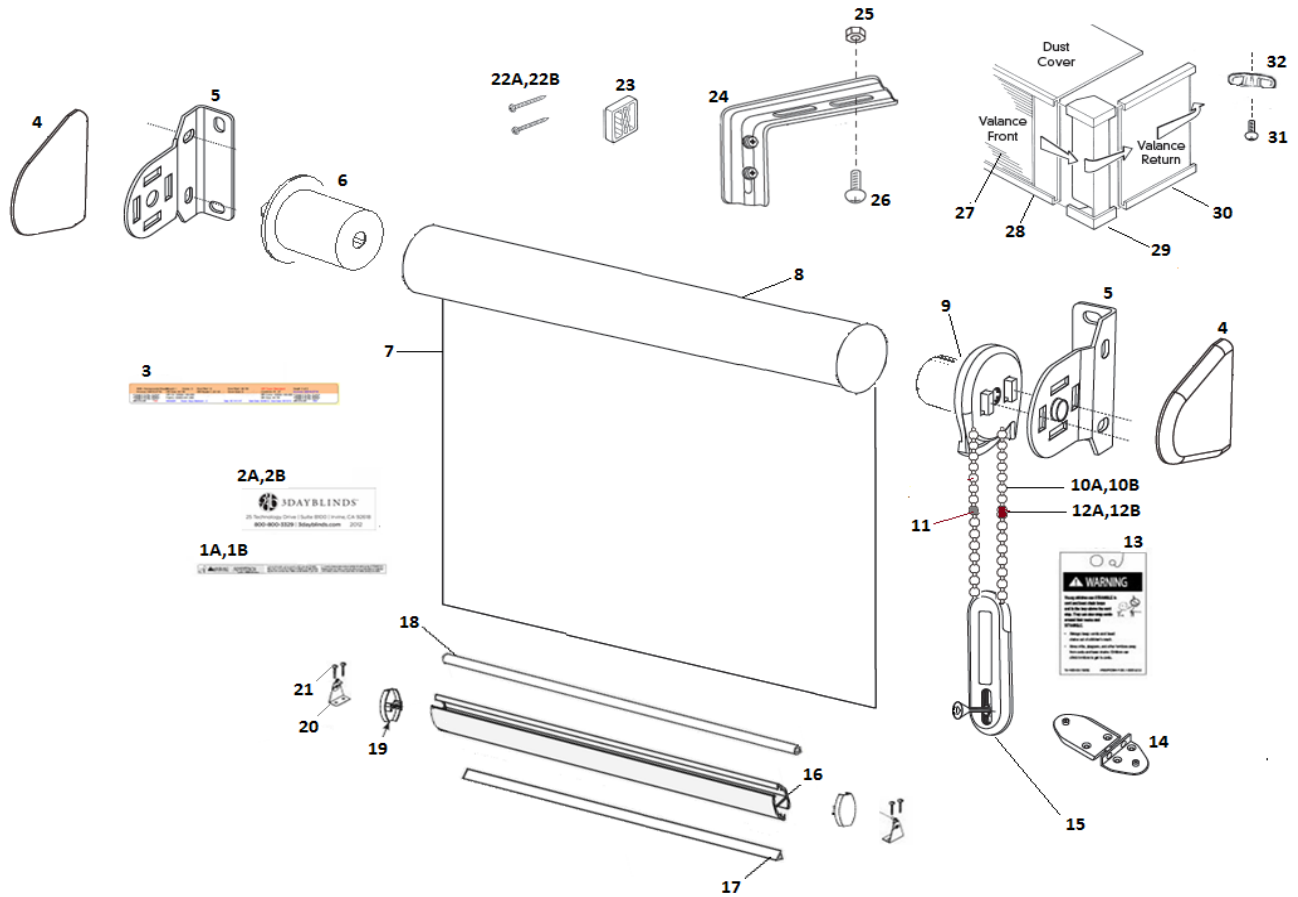


Roller Shade Standard Width > 60" and < 90" Exploded View



1A	* LABEL - CHILD SAFETY LONG	00002-111-000	21	1" PHILLIPS SCREW	05971-000-000
1B	* LABEL - CHILD SAFETY SHORT	00002-113-000	22A	* #6 1.5" HEX SCREW	05972-000-000
2A	* 3 DAY BLIND LOGO BLACK	00002-112-000	22B	* 2" #8 PHILLIPS HEX HEAD	08756-000-000
2B	* 3 DAY BLIND LOGO WHITE	00002-114-000	23	2" SPACER BLOCK	08862-000-000
3	WHITE JOB TICKET	00005-028-000	24	3" L-BRACKET	05211-000-000
4	BRACKET COVER-2 IN-WHITE	07006-XXX-000	25	6 - 32 HEX NUT ZINC PLATED	11021-000-000
5	BRACKET 1.5" PROJECTION - ZINC PLATED	07187-000-000	26	6 - 32x3/8 MACHINE SCREWS ROUND HEAD	11020-000-000
6	END PLUGS - 100LBS	07008-XXX-000	27	CATALINA - IVORY	04530-040-000
7	FABRIC	VARIES	28	VERTICAL VALANCE 192	05940-000-000
8	1.5" TUBE 12FT MOTORIZATION	18041-001-000	29	VALANCE CORNER - OPEN	05180-000-000
9	R.S. CLUTCH- SL 20	07003-XXX-000	30	IVORY GROOVER W/UV - FOR FAB	04930-040-000
10A	* R.S. CHAIN - STEEL- #10 NICKEL PLTD	07171-561-000	31	SCREW - (PHIL TRUSS)	05982-000-000
10B	* 6MM PLASTIC CHAIN	07172-XXX-000	32	WING NUT #10	05984-000-000
11	CLEAR PLASTIC STOP BALLS	07188-000-000			
12A	* R.S. CHAIN CONNECTOR - METAL	07181-561-000			
12B	* #10 CHAIN CONNECTOR	11049-XXX-000			
13	TAG-TENSION DEVICE WARNING	00002-199-000			
14	TENSION PULLEY BEAD MOUNTING KIT	05079-001-000			
15	TENSION PULLEY BEAD CHAN	05079-XXX-000			
16	R.S. BOTTOMRAIL	07141-XXX-000			
17	BOTTOMRAIL-TRIANGULAR PROFILE	07144-000-000			
18	BOTTOMRAIL-LARGE ROUND PROFILE	07143-000-000			
19	END CAPS - R.S. BOTTOMRAIL	07151-000-000			
20	HOLD DOWN BRACKET (PLASTIC)	01672-000-000			

* AS REQUIRED (A OR B OR C)

** AS REQUIRED (ANY COMBINATION A,B,C)