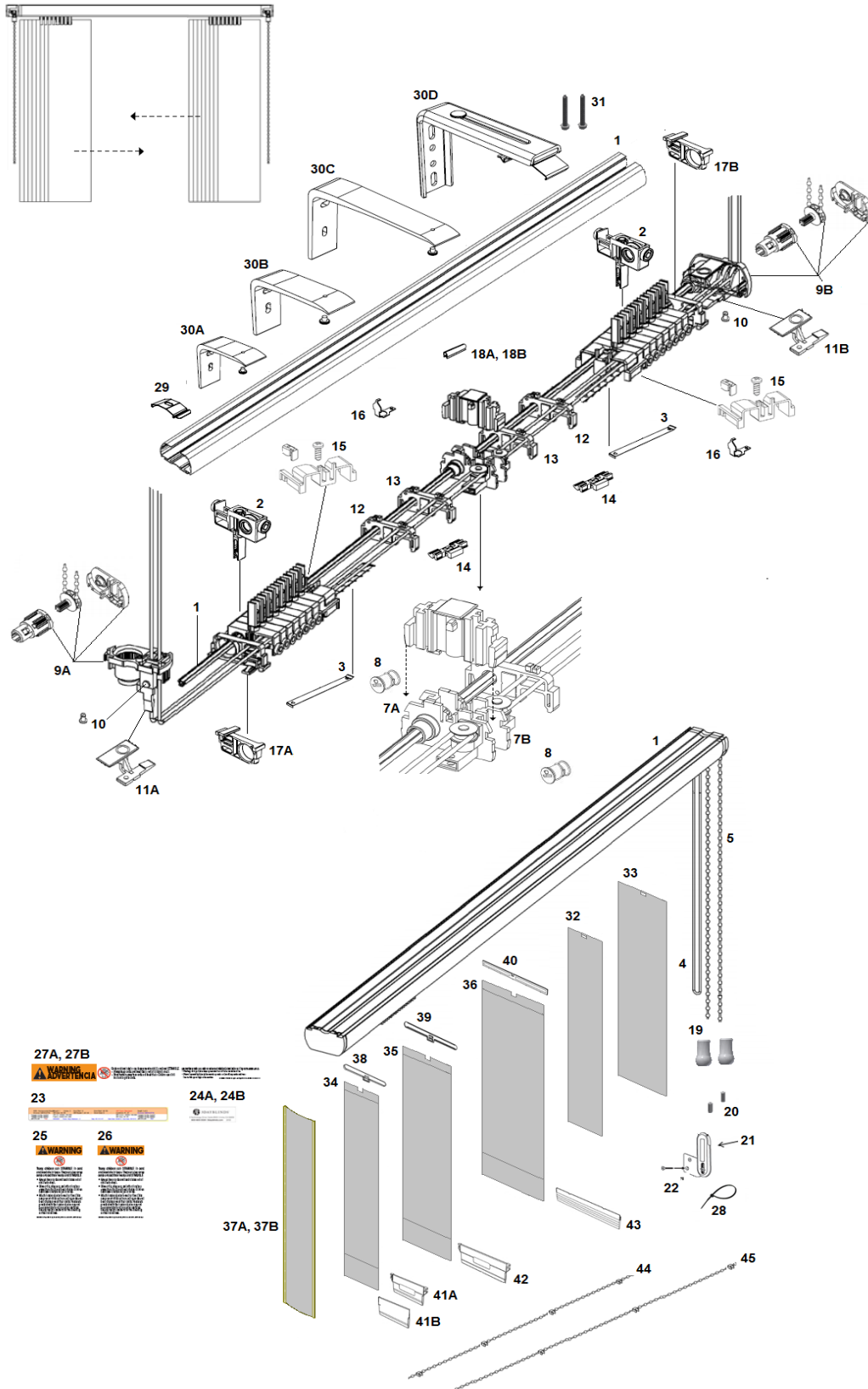


VERTICAL BLIND DELUXE DOUBLE CONTROL - EXPLODED VIEW

Vertical Blind - Double Control



27A, 27B

WARNING
ADVERTENCIA

23

24A, 24B

25

WARNING

26

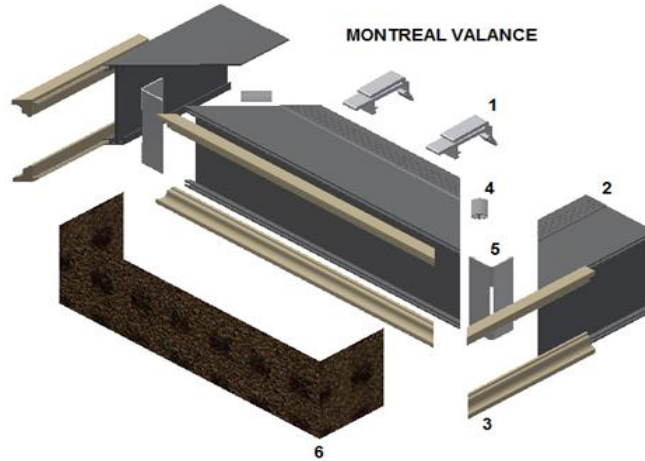
WARNING

37A, 37B

VERTICAL BLIND DELUXE DOUBLE CONTROL - EXPLODED VIEW

Item	Part Number	Description	Item	Part Number	Description
1	15034-XXX-000	Headrail and Tilt Rod	25	00002-212-000	Tag – Individual Tassel
2	15010-000-000	Runner Small 3-Way (Carrier)	26	00002-214-000	Tag – Tension Device
3	VARIABLES	Metal Link varies from 13 mm to 220mm	27A	00002-118-000	Child Warning Label - Long
4	15047-XXX-000	Pulling Cord 2 mm – White or Grey	27B	00002-119-000	Child Warning Label - Short
5	15055-XXX-000	Chain White or Grey	28	00013-186-000	Black Zip Tie 5.5"
6	15020-XXX-000	Separation Part for Double Control	29	15037-XXX-000	Clip Mounting Support – White or Grey
7A	15042-XXX-000	End Cap Inside Left White or Grey	30A	15039-XXX-089	Wall Bracket Aluminum for 3.5" Slat - White or Grey
7B	15043-XXX-000	End Cap Inside Right White or Grey	30B	15040-XXX-127	Wall Bracket Aluminum for 3.5" & 5" Slat - White or Grey
8	15045-100-000	Tilt Rod Lock	30C	15051-XXX-250	Wall Bracket Aluminum for 10" Slat - White or Grey
9A	15016-XXX-000	Control Unit Left White or Grey	30D	15038-XXX-000	Wall Adjustable Bracket for 10" Slat - White or Grey
9B	15018-XXX-000	Control Unit Right White or Grey	31	05973-000-000	#8 1.5" Hex Screw
10	15017-000-000	Connecting Pin	32	VARIABLES	3.5" PVC Slat
11A	15014-XXX-000	Window Cleaner Hook Left White or Grey	33	VARIABLES	5" PVC Slat
11B	15015-XXX-000	Window Cleaner Hook Right White or Grey	34	VARIABLES	3.5" Free Hanging Fabric
12	15031-100-000	Magnetic Tilt Rod Support	35	VARIABLES	5" Free Hanging Fabric
13	15030-100-000	Non-Magnetic Tilt Rod Support	36	VARIABLES	10" Free Hanging Fabric
14	15044-100-000	Tilt Rod Support Stopper	37A	04910-XXX-000	Groover Standard - White or Ivory
15	15032-100-000	Cord Drive Runner Small	37B	04930-XXX-000	Groover Thin - White or Ivory
16	15026-000-000	Metal Plate For Cord Drive	38	15053-000-089	Slat Hanger 89mm for 3.5" Free Hanging Slat
17A	15035-100-000	Runner Train Connector Left	39	15053-000-127	Slat Hanger 127mm for 5" Free Hanging Slat
17B	15036-100-000	Runner Train Connector Right	40	15043-000-250	Slat Hanger 250mm for 10" Free Hanging Slat
18A	15027-000-089	Tube 3 1/2" Slat Omega Spacer	41A	15049-100-089	Slat Weight 89mm for 3.5" Free Hanging Slat
18B	15027-000-127	Tube 5" and 10" Slat Omega Spacer	41B	15049-100-000	Slat Weight for 3.5" Slat without Weight
19	15059-XXX-000	Tassel White or Grey	42	15049-100-127	Slat Weight 127mm for 5" Free Hanging Slat
20	11049-005-000	Chain Connector White	43	15049-100-250	Slat Weight 250mm for 10" Free Hanging Slat
21	05069-000-000	Tension Pulley	44	15050-100-089	Connecting Chain 89mm for 3.5" Free Hanging Slat
22	05069-001-000	Tension Pulley Bracket Hardware Kit	45	15050-100-127	Connecting Chain 127mm for 5" Free Hanging Slat
23	00005-028-000	White Job Tickets			
24A	00002-112-000	Label – 3DB Logo Black			
24B	00002-114-000	Label – 3DB Logo White			

VERTICAL BLIND VALANCES - EXPLODED VIEW

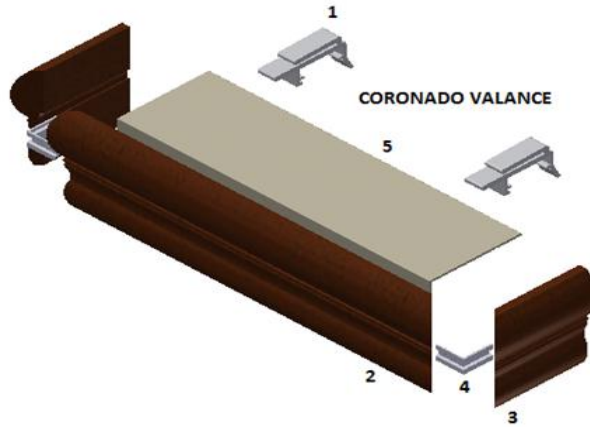


Item	Part Number	Description
1	15046-100-000	Valance Clip
2	05944-040-035	Montreal Valance 3.5"
3	05945-100-000 Or 05945-040-000	Montreal Valance Trim
4	05947-000-000	Montreal Valance Retainer Clip
5	05910-000-000	Metal Corner
6	VARIABLES	PVC Slat or Fabric Insert

❖ Montreal Valance Clearance and Return Sizes

Product	Slat	Ext Brackets	Mount	Clearance	Return Size
Montreal Valance	3.5"	N/A	Inside	N/A	1 3/4"
		15039-XXX-089	Outside	3/8"	4 7/8"
		15040-XXX-127	Outside	1"	5 1/2"

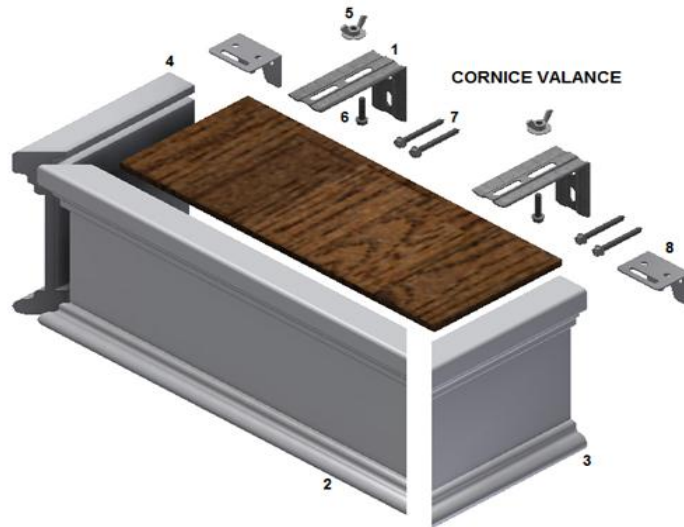
VERTICAL BLIND VALANCES - EXPLODED VIEW



Item	Part Number	Description
1	15046-100-000	Valance Clip
2	08420-XXX-000	Coronado Valance
3		Coronado Valance Return
4	08970-001-000	Valance Return Clip
5	05943-001-000	Coronado Dust Cover

❖ **Coronado Valance Clearance and Return Sizes**

Product	Slat	Ext Brackets	Mount	Clearance	Return Size
Coronado Valance	3.5"	N/A	Inside	N/A	1 1/2"
		15039-XXX-089	Outside	3/8"	4 1/8"
		15040-XXX-127	Outside	1"	4 7/8"

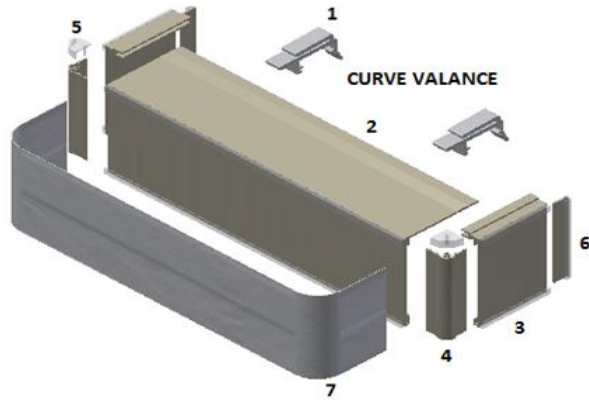


Item	Part Number	Description
1	05211-000-000	3" L Bracket
2		
3	Vanes	Cornice Valances
4	08290-000-001	1" Dust Cover
	08290-000-004	4" Dust Cover
	08290-000-005	5" Dust Cover
5	08754-000-000	Wing Nut #8
6	08757-000-000	Hex Washer Machine Screw 5/8"
7	05972-000-000	#6 1.5" Hex Screw
8	08812-000-000	Cornice 1x1 Angle Iron L - Bracket

⊕ ❖ **Cornice Valance Clearance and Return Sizes**

Product	Slat	Ext Brackets	Mount	Clearance	Return Size
Cornice Valance	3.5"	08812-000-000	Inside	N/A	1 1/4"
		15039-XXX-089	Outside	3/8"	4 1/4"
		15040-XXX-127	Outside	1"	5 1/4"

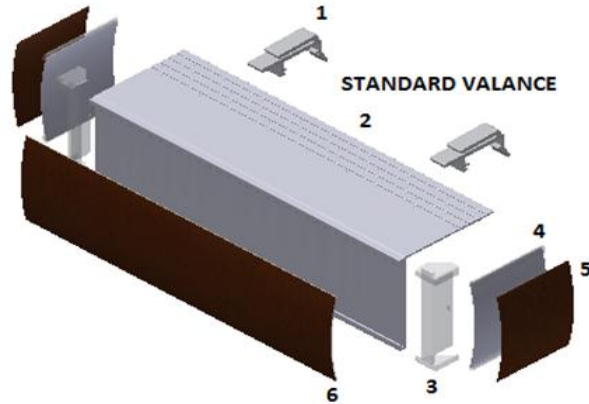
VERTICAL BLIND VALANCES - EXPLODED VIEW



Item	Part Number	Description
1	15046-100-000	Valance Clip
2	05942-000-000	Curved Comer Valances
3	05942-001-000	Curved Comer Returns
4	05183-000-000	Curved Comers
5		Clear Cap
6	N/A	Return Clip
7	VARIES	PVC Slat or Fabric Insert

❖ Curved Valance Clearance and Return Sizes

Product	Slat	Ext Brackets	Mount	Clearance	Return Size
Curved Valance	3.5"	N/A	Inside	N/A	1 1/8"
		15039-XXX-089	Outside	3/8"	3 5/8"
		15040-XXX-127	Outside	1"	4 3/8"



Item	Part Number	Description
1	15046-100-000	Valance Clip
2	05942-000-000	Curved Comer Valances
3	05182-000-000	Closed Comer
4	04910-040-000	Returns
5	VARIES	PVC Slat
6	VARIES	PVC Slat

❖ Standard Valance Clearance and Return Sizes

Product	Slat	Ext Brackets	Mount	Clearance	Return Size
Standard Valance	3.5"	N/A	Inside	N/A	1 1/2"
		15039-XXX-089	Outside	3/8"	4 1/2"
		15040-XXX-127	Outside	1"	5"