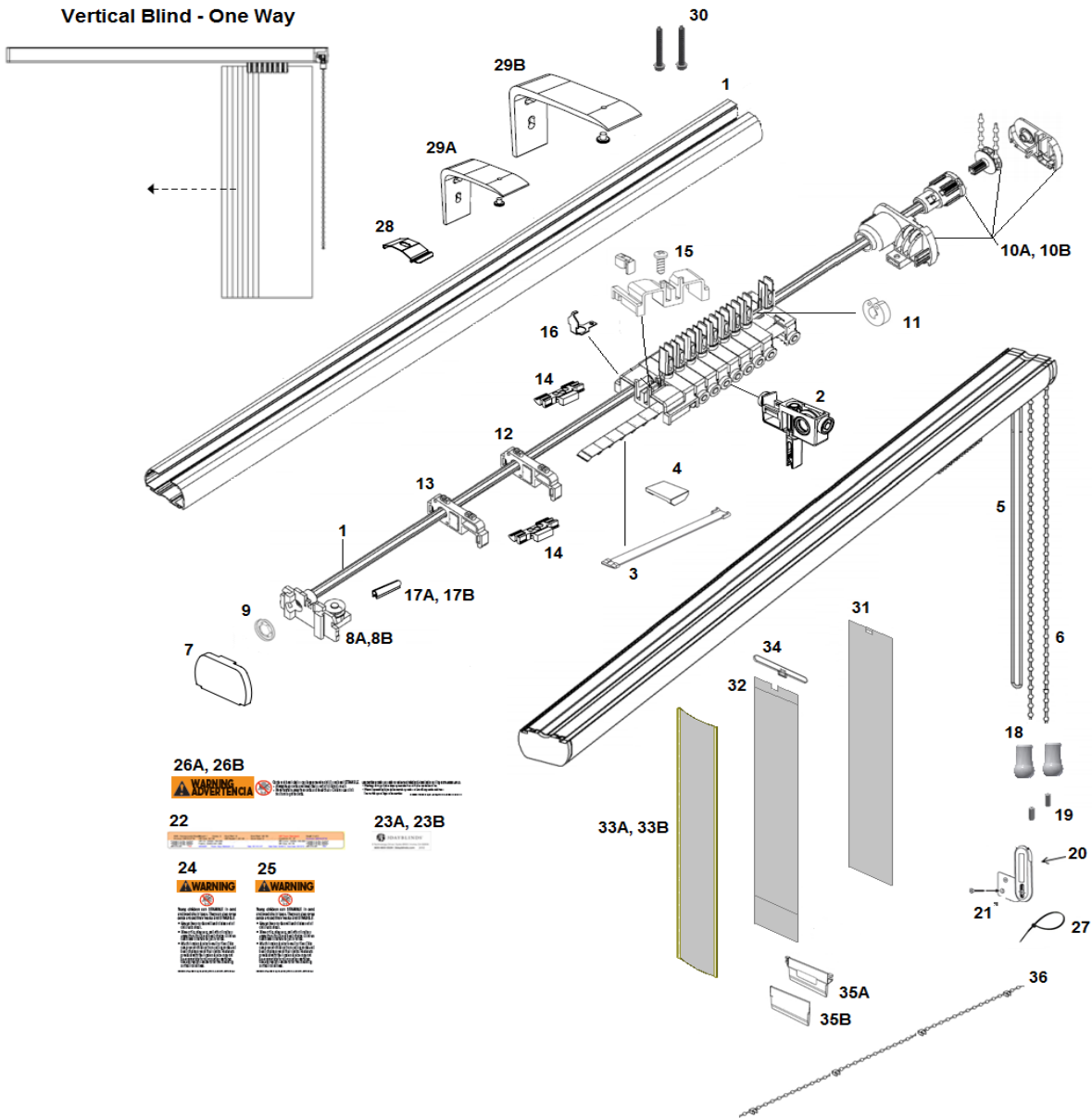


VERTICAL BLIND STANDARD ONE WAY - EXPLODED VIEW

Vertical Blind - One Way



26A, 26B

WARNING **ADVERTENCIA** READ THE INSTRUCTIONS CAREFULLY BEFORE INSTALLATION. FAILURE TO FOLLOW THE INSTRUCTIONS MAY CAUSE PERSONAL INJURY OR PROPERTY DAMAGE. THE MANUFACTURER IS NOT RESPONSIBLE FOR ANY INJURY OR DAMAGE CAUSED BY THE IMPROPER USE OF THIS PRODUCT.

22

23A, 23B

READ THE INSTRUCTIONS CAREFULLY BEFORE INSTALLATION. FAILURE TO FOLLOW THE INSTRUCTIONS MAY CAUSE PERSONAL INJURY OR PROPERTY DAMAGE. THE MANUFACTURER IS NOT RESPONSIBLE FOR ANY INJURY OR DAMAGE CAUSED BY THE IMPROPER USE OF THIS PRODUCT.

24

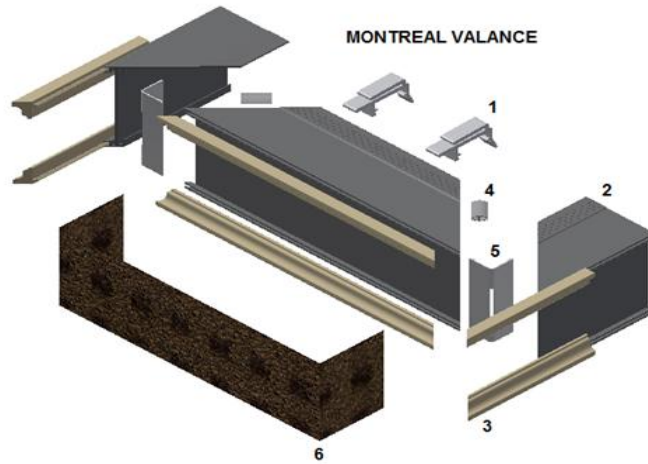
25

WARNING **ADVERTENCIA** READ THE INSTRUCTIONS CAREFULLY BEFORE INSTALLATION. FAILURE TO FOLLOW THE INSTRUCTIONS MAY CAUSE PERSONAL INJURY OR PROPERTY DAMAGE. THE MANUFACTURER IS NOT RESPONSIBLE FOR ANY INJURY OR DAMAGE CAUSED BY THE IMPROPER USE OF THIS PRODUCT.

VERTICAL BLIND STANDARD ONE WAY - EXPLODED VIEW

Item	Part Number	Description	Item	Part Number	Description
1	15022-100-000	Headrail White and Tilt Rod	24	00002-212-000	Tag – Individual Tassel
2	15058-000-000	Runner Small 3-Way (Carrier)	25	00002-214-000	Tag – Tension Device
3	15025-000-078	Spacer Small Plastic	26A	00002-118-000	Child Warning Label - Long
4	15024-000-000	Plastic Adjuster Spacer	26B	00002-119-000	Child Warning Label - Short
5	15047-100-000	Pulling Cord 2 mm – White	27	00013-186-000	Black Zip Tie 5.5"
6	15055-100-000	Chain White	28	15037-100-000	Clip Mounting Support – White
7	15041-100-000	End Cap White	29A	15039-100-089	Wall Bracket Aluminum for 3.5" Slat - White or Grey
8A	15042-100-000	End Cap Inside Left White	29B	15040-100-127	Wall Bracket Aluminum for 3.5" & 5" Slat - White or Grey
8B	15043-100-000	End Cap Inside Right White	30	05973-000-000	#8 1.5" Hex Screw
9	15021-000-000	Stop Ring Metal Star-Shaped	31	VARIABLES	3.5" PVC Slat
10A	15016-100-000	Control Unit Left White	32	VARIABLES	3.5" Free Hanging Fabric
10B	15018-100-000	Control Unit Right White	33A	04910-XXX-000	Groover Standard - White or Ivory
11	15054-000-000	Stop Ring Plastic	33B	04930-XXX-000	Groover Thin - White or Ivory
12	15031-100-000	Magnetic Tilt Rod Support	34	15053-000-089	Slat Hanger 89mm for 3.5" Free Hanging Slat
13	15030-100-000	Non-Magnetic Tilt Rod Support	35A	15049-100-089	Slat Weight 89mm for 3.5" Free Hanging Slat
14	15044-100-000	Tilt Rod Support Stopper	35B	15049-100-000	Slat Weight for 3.5" Slat without Weight
15	15032-100-000	Cord Drive Runner Small	36	15050-100-089	Connecting Chain 89mm for 3.5" Free Hanging Slat
16	15026-000-000	Metal Plate For Cord Drive			
17A	15027-000-089	Tube 3/2" Slat Omega Spacer			
17B	15027-000-127	Tube 5" and 10" Slat Omega Spacer			
18	08570-004-000	Tassel White			
19	11049-005-000	Chain Connector White			
20	05069-000-000	Tension Pulley			
21	05069-001-000	Tension Pulley Bracket Hardware Kit			
22	00005-028-000	White Job Tickets			
23A	00002-112-000	Label – 3DB Logo Black			
23B	00002-114-000	Label – 3DB Logo White			

VERTICAL BLIND VALANCES - EXPLODED VIEW

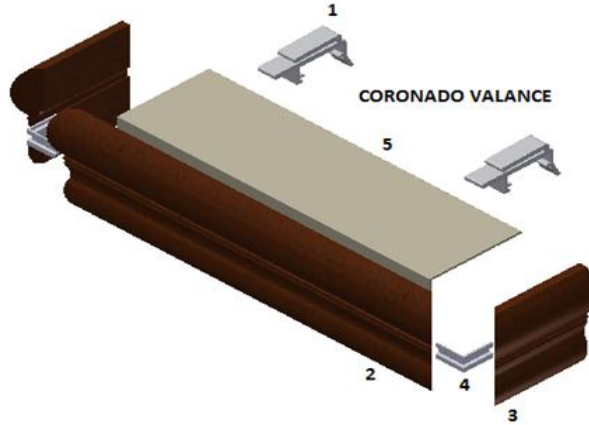


Item	Part Number	Description
1	15046-100-000	Valance Clip
2	05944-040-035	Montreal Valance 3.5"
3	05945-100-000 Or 05945-040-000	Montreal Valance Trim
4	05947-000-000	Montreal Valance Retainer Clip
5	05910-000-000	Metal Corner
6	VARIABLES	PVC Slat or Fabric Insert

❖ Montreal Valance Clearance and Return Sizes

Product	Slat	Ext Brackets	Mount	Clearance	Return Size
Montreal Valance	3.5"	N/A	Inside	N/A	1 3/4"
		15039-XXX-089	Outside	3/8"	4 7/8"
		15040-XXX-127	Outside	1"	5 1/2"

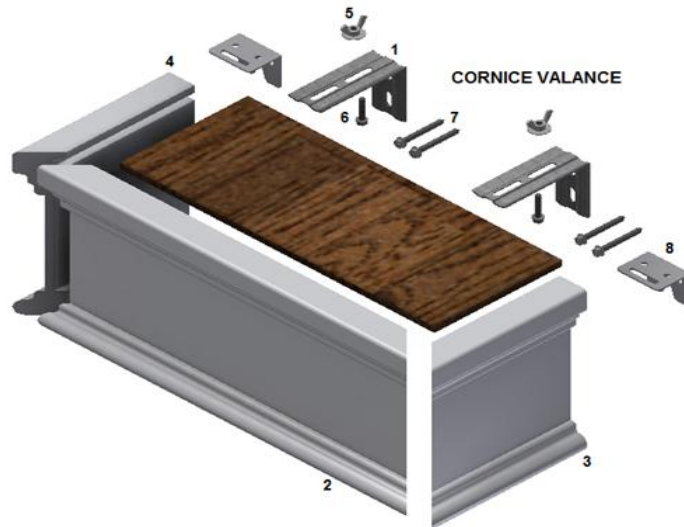
VERTICAL BLIND VALANCES - EXPLODED VIEW



Item	Part Number	Description
1	15046-100-000	Valance Clip
2	08420-XXX-000	Coronado Valance
3		Coronado Valance Return
4	08970-001-000	Valance Return Clip
5	05943-001-000	Coronado Dust Cover

❖ Coronado Valance Clearance and Return Sizes

Product	Slat	Ext Brackets	Mount	Clearance	Return Size
Coronado Valance	3.5"	N/A	Inside	N/A	1 1/2"
		15039-XXX-089	Outside	3/8"	4 1/8"
		15040-XXX-127	Outside	1"	4 7/8"

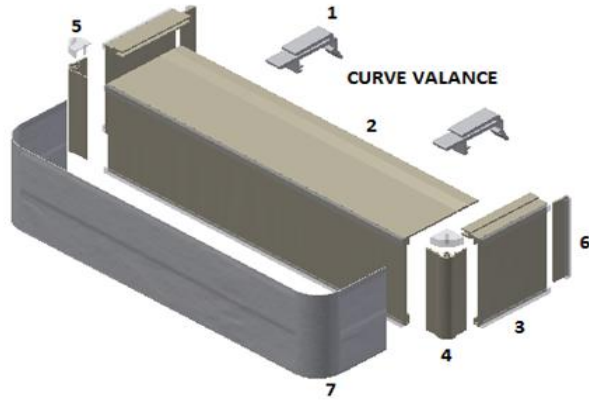


Item	Part Number	Description
1	05211-000-000	3" L Bracket
2		
3	Varies	Cornice Valances
	08290-000-001	1" Dust Cover
4	08290-000-004	4" Dust Cover
	08290-000-005	5" Dust Cover
5	08754-000-000	Wing Nut #8
6	08757-000-000	Hex Washer Machine Screw 5/8"
7	05972-000-000	#6 1.5" Hex Screw
8	08812-000-000	Cornice 1x1 Angle Iron L - Bracket

⊕ ❖ Cornice Valance Clearance and Return Sizes

Product	Slat	Ext Brackets	Mount	Clearance	Return Size
Cornice Valance	3.5"	08812-000-000	Inside	N/A	1 1/4"
		15039-XXX-089	Outside	3/8"	4 1/4"
		15040-XXX-127	Outside	1"	5 1/4"

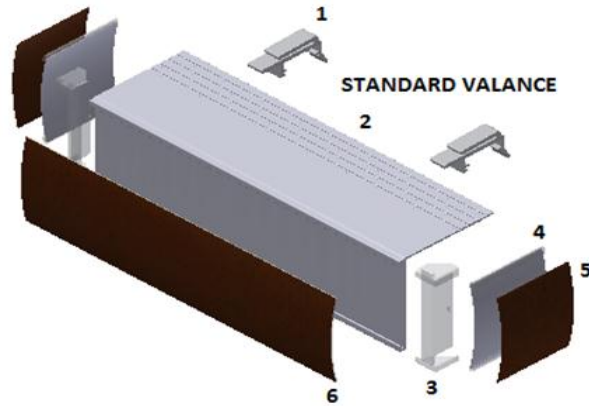
VERTICAL BLIND VALANCES - EXPLODED VIEW



Item	Part Number	Description
1	15046-100-000	Valance Clip
2	05942-000-000	Curved Corner Valances
3	05942-001-000	Curved Corner Returns
4	05183-000-000	Curved Corners
5		Clear Cap
6	N/A	Return Clip
7	VARIES	PVC Slat or Fabric Insert

❖ **Curved Valance Clearance and Return Sizes**

Product	Slat	Ext Brackets	Mount	Clearance	Return Size
Curved Valance	3.5"	N/A	Inside	N/A	1 1/8"
		15039-XXX-089	Outside	3/8"	3 5/8"
		15040-XXX-127	Outside	1"	4 3/8"



Item	Part Number	Description
1	15046-100-000	Valance Clip
2	05942-000-000	Curved Corner Valances
3	05182-000-000	Closed Corner
4	04910-040-000	Returns
5	VARIES	PVC Slat
6	VARIES	PVC Slat

❖ **Standard Valance Clearance and Return Sizes**

Product	Slat	Ext Brackets	Mount	Clearance	Return Size
Standard Valance	3.5"	N/A	Inside	N/A	1 1/2"
		15039-XXX-089	Outside	3/8"	4 1/4"
		15040-XXX-127	Outside	1"	5"