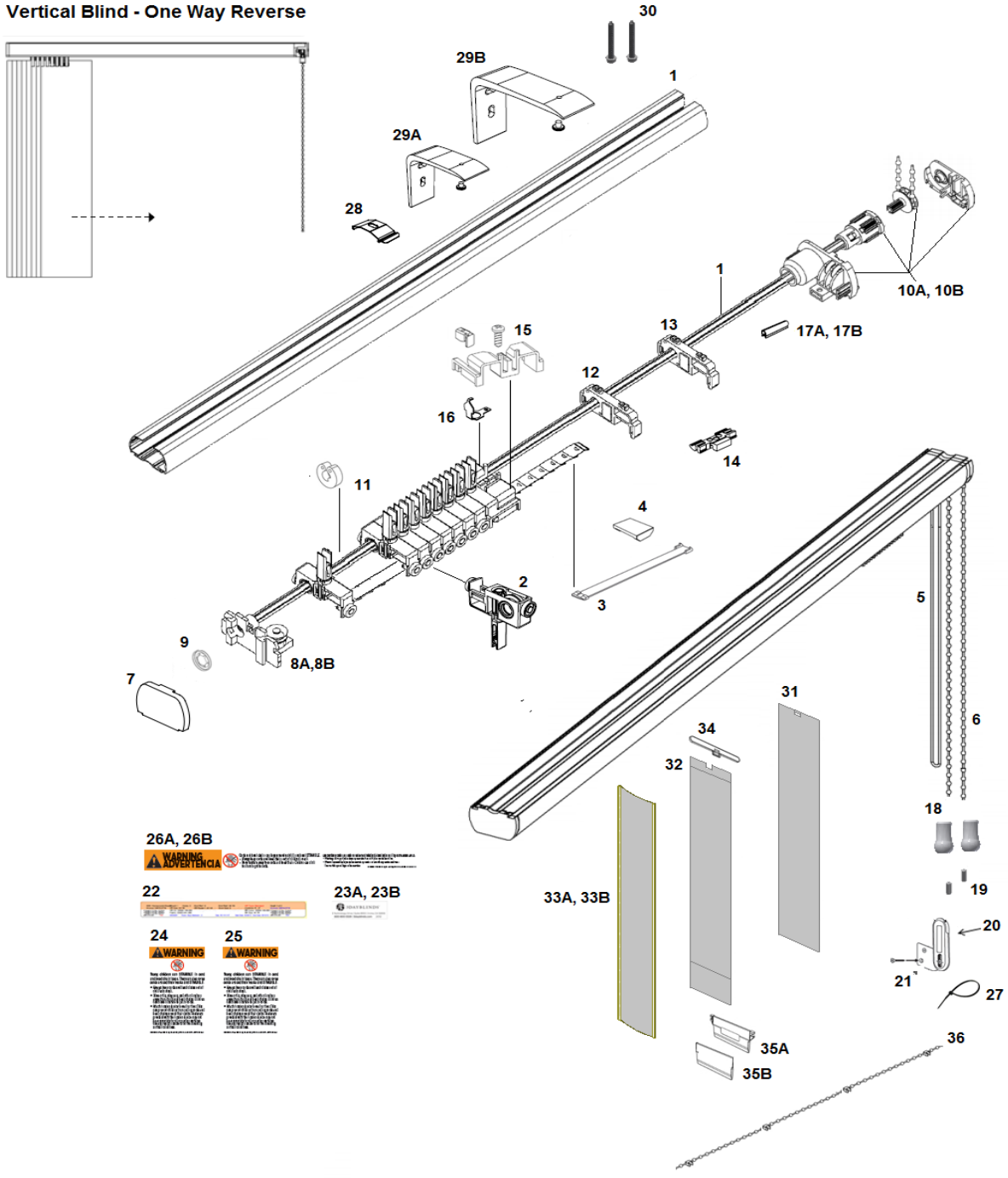


VERTICAL BLIND STANDARD ONE WAY REVERSE - EXPLODED VIEW

Vertical Blind - One Way Reverse



**26A, 26B**  
**WARNING**  
**ADVERTENCIA**

**22**

**23A, 23B**

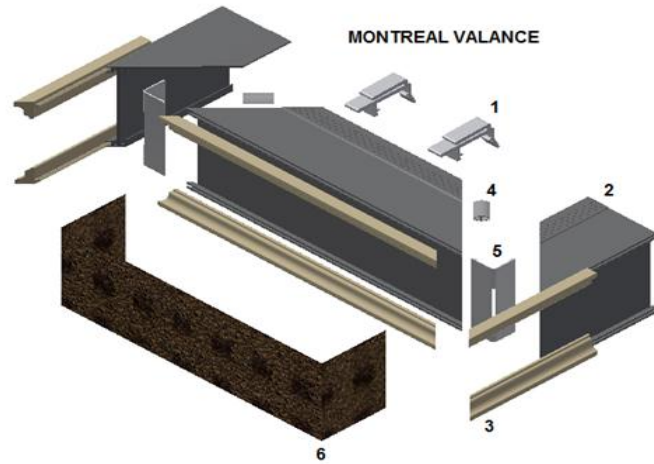
**24**  
**WARNING**

**25**  
**WARNING**

**VERTICAL BLIND STANDARD ONE WAY REVERSE - EXPLODED VIEW**

Item	Part Number	Description	Item	Part Number	Description
1	15022-100-000	Headrail White and Tilt Rod	24	00002-212-000	Tag – Individual Tassel
2	15058-000-000	Runner Small 3-Way (Carrier)	25	00002-214-000	Tag – Tension Device
3	15025-000-078	Spacer Small Plastic	26A	00002-118-000	Child Warning Label - Long
4	15024-000-000	Plastic Adjuster Spacer	26B	00002-119-000	Child Warning Label - Short
5	15047-100-000	Pulling Cord 2 mm – White	27	00013-186-000	Black Zip Tie 5.5"
6	15055-100-000	Chain White	28	15037-100-000	Clip Mounting Support – White
7	15041-100-000	End Cap White	29A	15039-100-089	Wall Bracket Aluminum for 3.5" Slat - White or Grey
8A	15042-100-000	End Cap Inside Left White	29B	15040-100-127	Wall Bracket Aluminum for 3.5" & 5" Slat - White or Grey
8B	15043-100-000	End Cap Inside Right White	30	05973-000-000	#8 1.5" Hex Screw
9	15021-000-000	Stop Ring Metal Star-Shaped	31	VARIES	3.5" PVC Slat
10A	15016-100-000	Control Unit Left White	32	VARIES	3.5" Free Hanging Fabric
10B	15018-100-000	Control Unit Right White	33A	04910-XXX-000	Groover Standard - White or Ivory
11	15054-000-000	Stop Ring Plastic	33B	04930-XXX-000	Groover Thin - White or Ivory
12	15031-100-000	Magnetic Tilt Rod Support	34	15053-000-089	Slat Hanger 89mm for 3.5" Free Hanging Slat
13	15030-100-000	Non-Magnetic Tilt Rod Support	35A	15049-100-089	Slat Weight 89mm for 3.5" Free Hanging Slat
14	15044-100-000	Tilt Rod Support Stopper	35B	15049-100-000	Slat Weight for 3.5" Slat without Weight
15	15032-100-000	Cord Drive Runner Small	36	15050-100-089	Connecting Chain 89mm for 3.5" Free Hanging Slat
16	15026-000-000	Metal Plate For Cord Drive			
17A	15027-000-089	Tube 31/2" Slat Omega Spacer			
17B	15027-000-127	Tube 5" and 10" Slat Omega Spacer			
18	08570-004-000	Tassel White			
19	11049-005-000	Chain Connector White			
20	05069-000-000	Tension Pulley			
21	05069-001-000	Tension Pulley Bracket Hardware Kit			
22	00005-028-000	White Job Tickets			
23A	00002-112-000	Label – 3DB Logo Black			
23B	00002-114-000	Label – 3DB Logo White			

**VERTICAL BLIND VALANCES - EXPLODED VIEW**

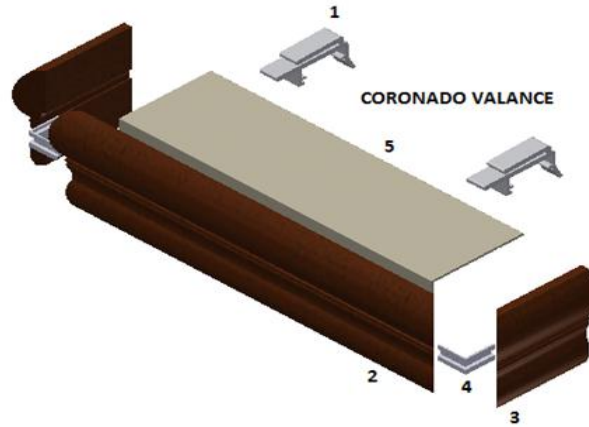


Item	Part Number	Description
1	15046-100-000	Valance Clip
2	05944-040-035	Montreal Valance 3.5"
3	05945-100-000 Or 05945-040-000	Montreal Valance Trim
4	05947-000-000	Montreal Valance Retainer Clip
5	05910-000-000	Metal Corner
6	VARIES	PVC Slat or Fabric Insert

❖ Montreal Valance Clearance and Return Sizes

Product	Slat	Ext Brackets	Mount	Clearance	Return Size
Montreal Valance	3.5"	N/A	Inside	N/A	1 3/4"
		15039-XXX-089	Outside	3/8"	4 7/8"
		15040-XXX-127	Outside	1"	5 1/2"

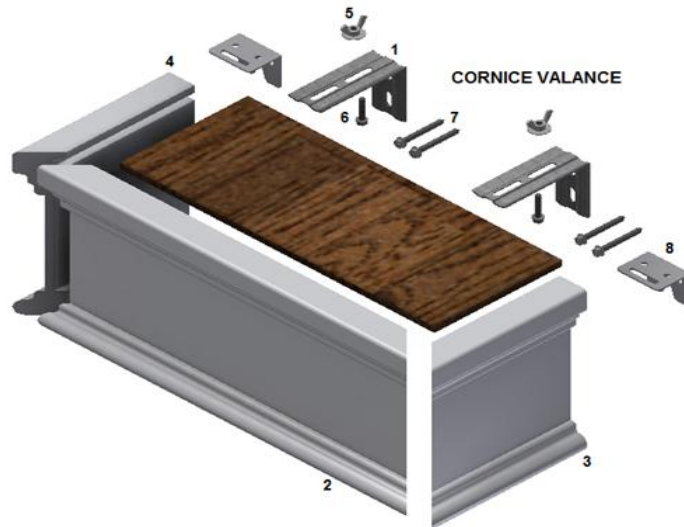
**VERTICAL BLIND VALANCES - EXPLODED VIEW**



Item	Part Number	Description
1	15046-100-000	Valance Clip
2	08420-XXX-000	Coronado Valance
3		Coronado Valance Return
4	08970-001-000	Valance Return Clip
5	05943-001-000	Coronado Dust Cover

❖ Coronado Valance Clearance and Return Sizes

Product	Slat	Ext Brackets	Mount	Clearance	Return Size
Coronado Valance	3.5"	N/A	Inside	N/A	1 1/2"
		15039-XXX-089	Outside	3/8"	4 1/8"
		15040-XXX-127	Outside	1"	4 7/8"

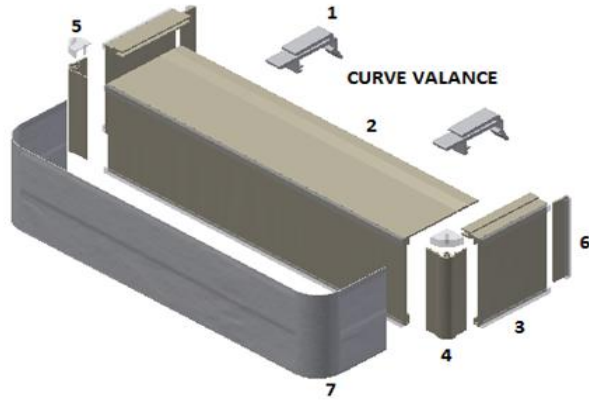


Item	Part Number	Description
1	05211-000-000	3" L Bracket
2		
3	Varies	Cornice Valances
	08290-000-001	1" Dust Cover
4	08290-000-004	4" Dust Cover
	08290-000-005	5" Dust Cover
5	08754-000-000	Wing Nut #8
6	08757-000-000	Hex Washer Machine Screw 5/8"
7	05972-000-000	#6 1.5" Hex Screw
8	08812-000-000	Cornice 1x1 Angle Iron L - Bracket

⊕ ❖ Cornice Valance Clearance and Return Sizes

Product	Slat	Ext Brackets	Mount	Clearance	Return Size
Cornice Valance	3.5"	08812-000-000	Inside	N/A	1 1/4"
		15039-XXX-089	Outside	3/8"	4 1/4"
		15040-XXX-127	Outside	1"	5 1/4"

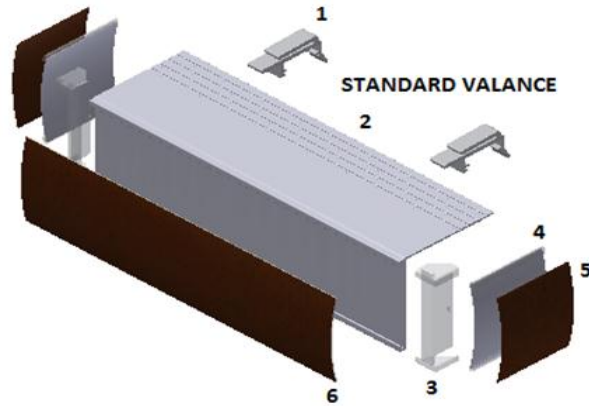
**VERTICAL BLIND VALANCES - EXPLODED VIEW**



Item	Part Number	Description
1	15046-100-000	Valance Clip
2	05942-000-000	Curved Corner Valances
3	05942-001-000	Curved Corner Returns
4	05183-000-000	Curved Corners
5		Clear Cap
6	N/A	Return Clip
7	VARIES	PVC Slat or Fabric Insert

❖ **Curved Valance Clearance and Return Sizes**

Product	Slat	Ext Brackets	Mount	Clearance	Return Size
Curved Valance	3.5"	N/A	Inside	N/A	1 1/8"
		15039-XXX-089	Outside	3/8"	3 5/8"
		15040-XXX-127	Outside	1"	4 3/8"



Item	Part Number	Description
1	15046-100-000	Valance Clip
2	05942-000-000	Curved Corner Valances
3	05182-000-000	Closed Corner
4	04910-040-000	Returns
5	VARIES	PVC Slat
6	VARIES	PVC Slat

❖ **Standard Valance Clearance and Return Sizes**

Product	Slat	Ext Brackets	Mount	Clearance	Return Size
Standard Valance	3.5"	N/A	Inside	N/A	1 1/2"
		15039-XXX-089	Outside	3/8"	4 1/4"
		15040-XXX-127	Outside	1"	5"