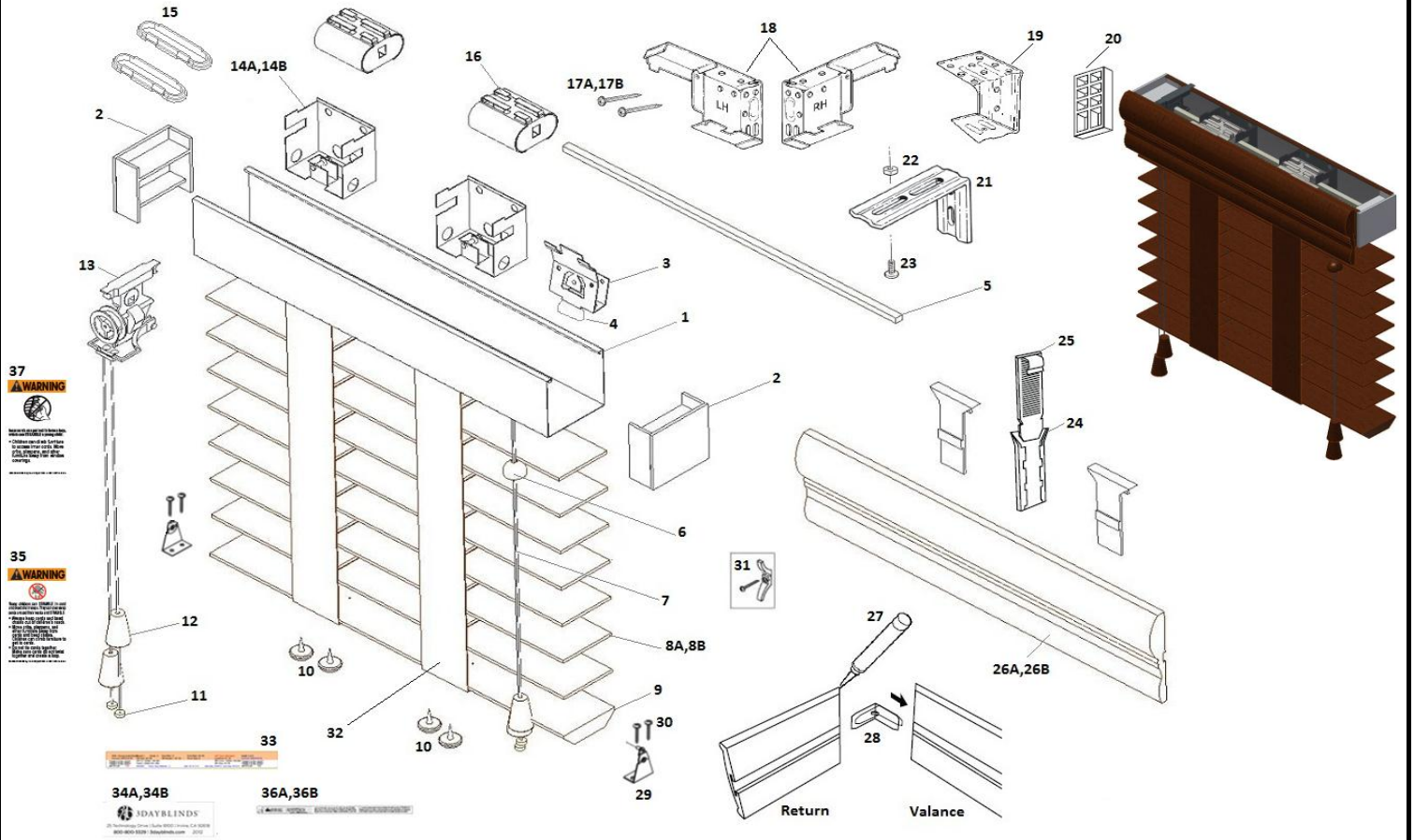


Wood Blind 2" & 2 1/2" Decorative Tape Ladder



| | | | | | |
|------|---------------------------------------|--------------------------------|------|------------------------------------|---------------|
| 1. | HEAD RAIL | 08610-XXX-000 | 22. | SMALL BOLT W/ WASHER | 03390-000-000 |
| 2. | HI PROFILE PLASTIC END STIFFENER | 08814-000-000 | 23. | HEX MACHINE SCREW NUT | 05981-000-000 |
| 3. | 2" WOOD CORDLOCK - 1.8 MM | 08740-000-000 | 24. | CORONADO ADJ. VALANCE CLIP | 08809-000-000 |
| 4. | 1.5" CORD SEPARATOR | 08700-000-000 | 25. | CORONADO ADJ. VALANCE SLIDE | 08815-000-000 |
| 5. | 2" TILTROD (SQUARE) | 08620-000-000 | 26A. | * VALANCE BRECKENRIDGE | 08413-XXX-000 |
| 6. | CORD COLLECTOR | 08646-XXX-000 | 26B. | * VALANCE (MANHATTAN) | 08414-XXX-000 |
| 7. | 1.8mm CORD | 01800-XXX-000 | 27. | WOOD VALANCE GLUE | 08994-000-000 |
| 8A. | * 2" WOOD SLAT | 08300-XXX-000 | 28. | VALANCE RETURN CLIP MEXICO | 08970-001-000 |
| 8B. | * 2.5" WOOD SLAT | 08310-XXX-000 | 29. | HOLD DOWN BRACKETS - 2" WOODS | 08010-000-000 |
| 9. | BOTTOM RAIL TRAPEZOID | 08508-XXX-000 | 30. | HOLD DOWN BRACKET SCREWS | 05971-000-000 |
| 10. | 3/4" NAIL-OLD GOLD FLECK ROSETTE E.B. | 08682-000-000 | 31. | CORD CLEAT SAFETY KIT | 03320-000-000 |
| 11. | SAFETY CORD STOP-POLYCARBONATE | 01380-000-000 | 32. | TAPE LADDERS FOR 2" & 2 1/2" SLATS | VARIABLES |
| 12. | TASSEL | 08640-XXX-000 | 33. | WHITE JOB TICKET | 00005-028-000 |
| 13. | NEW ASS CORD TILTER | 08770-XXX-XXX | 34A. | * LABEL - 3DB LOGO BLACK | 00002-112-000 |
| 14A. | * 2" RH TAPE ROLL SUPPORT | 08631-000-000 | 34B. | * LABEL - 3DB LOGO WHITE | 00002-114-000 |
| 14B. | * 2" LH TAPE ROLL SUPPORT | 08630-000-000 | 35. | TAG-INDIVIDUAL TASSEL WARNING | 00002-212-000 |
| 15. | CLOTH LADDER SAVER | 08840-000-000 | 36A. | * LABEL - CHILD SAFETY LONG | 00002-111-000 |
| 16. | 2" (CLOTH) TAPE DRUM | 08655-000-000 | 36B. | * LABEL - CHILD SAFETY SHORT | 00002-113-000 |
| 17A. | * #8 1.5" HEX SCREW 5000 | 05973-000-000 | 37. | TAG-INNER CORD STOP WARNING | 00002-218-000 |
| 17B. | * 2" #8 PHILLIPS HEX HEAD SCREW | 08756-000-000 | | | |
| 18. | END BRACKETS | 07860-974-000 08870-XXX-000 | | | |
| 19. | CENTER SUPPORTS | 07810-XXX-000 | | | |
| 20. | 2" SPACER BLOCK | 08862-000-000 | | | |
| 21. | 3" L-BRACKET | 05211-000-000 | | | |

* AS REQUIRED (A OR B OR C)

** AS REQUIRED (ANY COMBINATION A,B,C,D AND E)