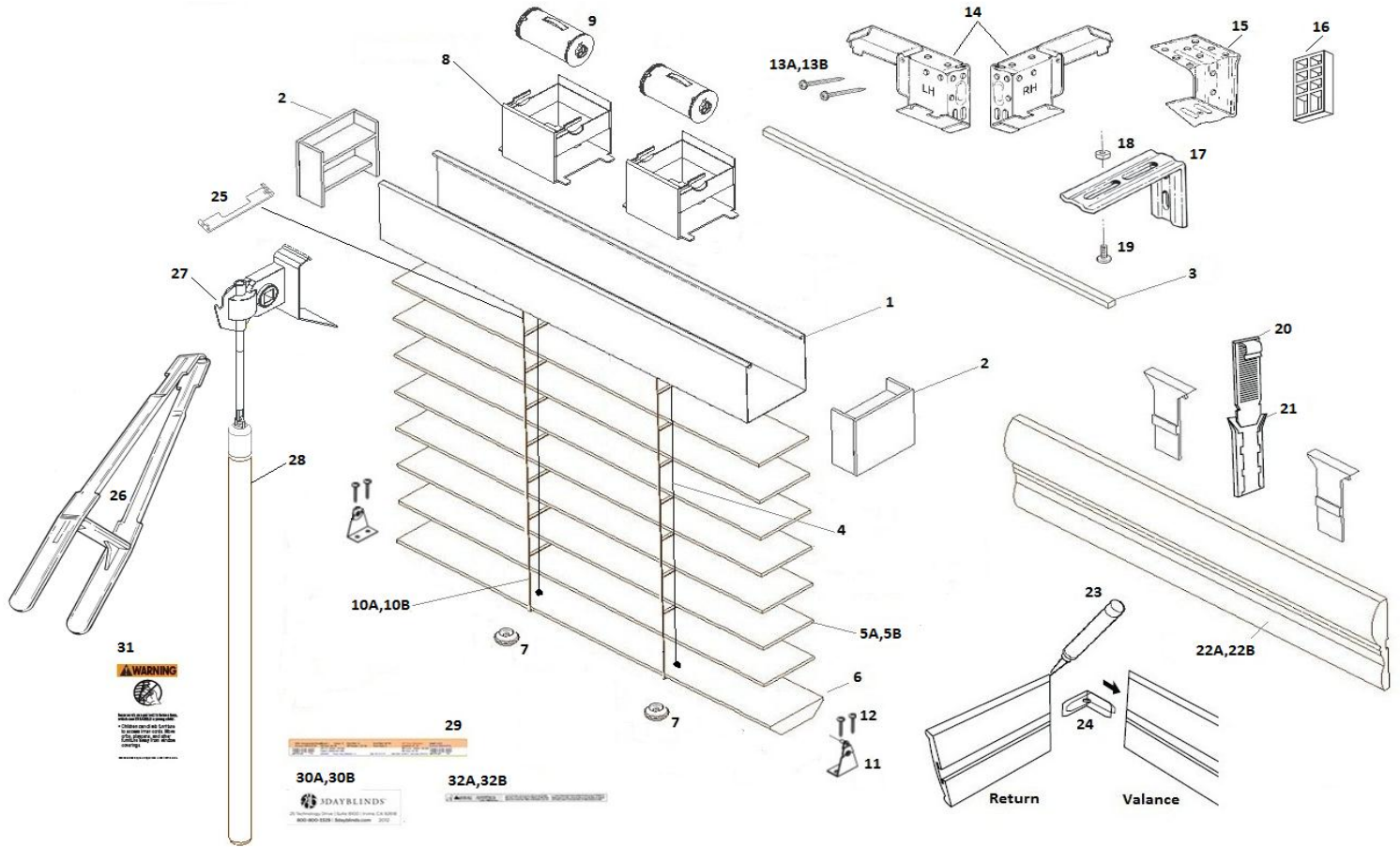


Wood Blind Cordless



| | | | | | |
|------|-------------------------------------|---------------|------|--|---------------|
| 1. | HEAD RAIL | 08610-XXX-000 | 20. | CORONADO ADJ. VALANCE CLIP | 08809-000-000 |
| 2. | HI PROFILE PLASTIC END STIFFENER | 08814-000-000 | 21. | CORONADO ADJ. VALANCE SLIDE | 08815-000-000 |
| 3. | 2" TILTROD (SQUARE) | 08620-000-000 | 22A. | * VALANCE BRECKENRIDGE | 08413-XXX-000 |
| 4. | 1.8mm CORD | 01800-XXX-000 | 22B. | * VALANCE (MANHATTAN) | 08414-XXX-000 |
| 5A. | 2" WOOD SLAT | 08300-XXX-000 | 23. | WOOD VALANCE GLUE | 08994-000-000 |
| 5B. | 2.5" WOOD SLAT | 08310-XXX-000 | 24. | VALANCE RETURN CLIP MEXICO | 08970-001-000 |
| 6. | BOTTOM RAIL TRAPEZOID | 08508-XXX-000 | 25. | * 2.5" TOP SLAT CLIP FOR WOODS (2.5" SLAT) | 08813-000-000 |
| 7. | 2" TAPE BUTTOMS | 08660-XXX-000 | 26. | 2" FAFTY TONG | 02050-002-000 |
| 8. | TAPE DRUM SUPPORT W/O ROLLER - CORD | 08788-000-000 | 27. | 2" ASSEM. WAND TILTER | 08720-000-000 |
| 9. | ASSEMBLED TAPE DRUM | 08670-000-000 | 28. | WAND | 089XX-XXX-XXX |
| 10A. | * 53 MM 2" WOOD LADDER (2" SLAT) | 08950-XXX-000 | 29. | WHITE JOB TICKET | 00005-028-000 |
| 10B. | * 2.5" VIRTUAL LADDER (2.5" SLAT) | 08951-XXX-000 | 30A. | * LABEL - 3DB LOGO BLACK | 00002-112-000 |
| 11. | HOLD DOWN BRACKETS - 2" WOODS | 08010-000-000 | 30B. | * LABEL - 3DB LOGO WHITE | 00002-114-000 |
| 12. | HOLD DOWN BRACKET SCREWS | 05971-000-000 | 31. | TAG-INNER CORD STOP WARNING | 00002-218-000 |
| 13A. | * #8 1.5" HEX SCREW 5000 | 05973-000-000 | 32A. | * LABEL - CHILD SAFETY LONG | 00002-111-000 |
| 13B. | * 2" #8 PHILLIPS HEX HEAD SCREW | 08756-000-000 | 32B. | * LABEL - CHILD SAFETY SHORT | 00002-113-000 |
| 14. | END BRACKETS | 07860-974-000 | | | |
| 15. | CENTER SUPPORTS | 08870-XXX-000 | | | |
| 16. | 2" SPACER BLOCK | 07810-XXX-000 | | | |
| 17. | 3" L-BRACKET | 08862-000-000 | | | |
| 18. | SMALL BOLT W/ WASHER | 05211-000-000 | | | |
| 19. | HEX MACHINE SCREW NUT | 03390-000-000 | | | |
| | | 05981-000-000 | | | |

* AS REQUIRED (A OR B OR C)

** AS REQUIRED (ANY COMBINATION A,B,C,D AND E)