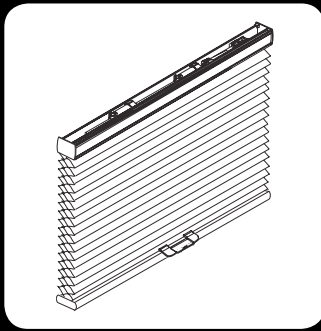


# HONEYCOMB SHADES

## Cordless



3DAYBLINDS®  
YOU'LL LOVE THE TREATMENT

### GETTING STARTED

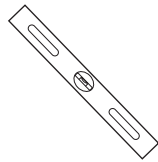
A few simple tools are required:



Steel Tape Measure



Pencil



Level  
(for outside mount)



Power Drill and  
Drill Bits



Flathead & Phillips  
Screwdriver

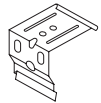


Awl (or tool for starting  
a screw hole)

Included in your order is all the hardware necessary for a normal installation. Depending on the mounting surface, fasteners other than the screws provided may be required. Wall board and plaster require the use of anchors such as expansion or toggle bolts. Bricks, tile and stone need special plugs and drill bits. Wood should always be pre-drilled to avoid splitting.

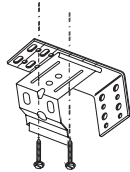
Professional installation is also available in most areas, call 800-800-3329.

### STANDARD HARDWARE



Mounting Brackets  
and Screws

OR



Mounting Brackets with  
Extension Brackets and  
Nuts and Bolts

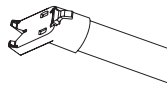


Handle

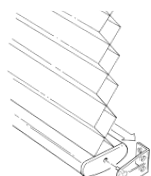
### OPTIONAL HARDWARE



Spacers



Extension Pole



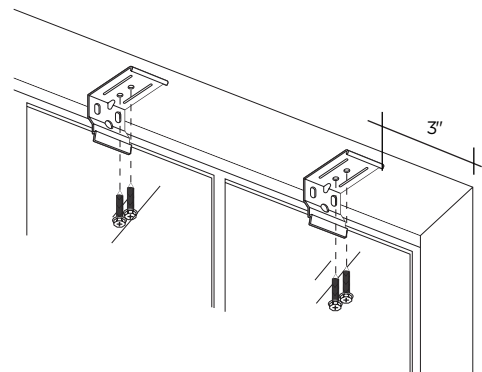
Hold Down Brackets  
and Screws

### BRACKET INFORMATION

The brackets you received with your product are **REQUIRED** for proper installation. Brackets should be installed at each end between end cap and the flat part of the cord spool. Any additional brackets will need to be evenly spaced between the two end brackets.

**NOTE:** Do not mount brackets over the flat part of the cord spools, improper placement of the brackets can result in poor operation of the shade.

### INSIDE MOUNT



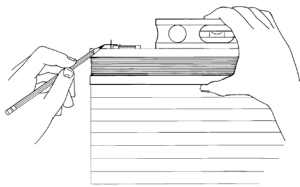
- Brackets should be installed 3 " in from each corner of the window.
- Additional brackets, if included, are **REQUIRED** for proper installation and should be installed evenly spaced between the two end brackets.
- Proceed to "Shade Installation".

## OUTSIDE MOUNT

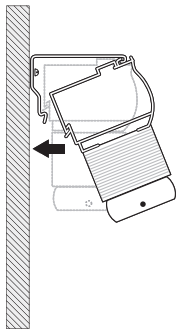
NOTE: You will be using your shade with mounting brackets attached to the headrail to mark the position of the brackets on your wall or molding.

- Attach brackets to the headrail between the endcap and the flat part of the cord spool. Additional brackets, if included, are **REQUIRED** for proper installation and should be spaced evenly over the width of the headrail. Lower the shade to its full length. (See “Shade Operation”.)

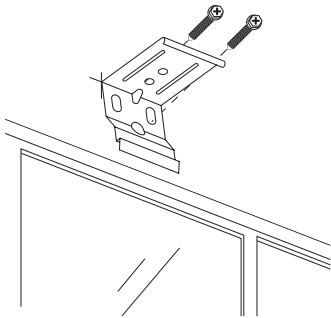
NOTE: If using extension brackets, attach mounting brackets to extension brackets with nuts and bolts before attaching brackets to headrail. (See “Optional Accessories”.)



- Hold the shade up to the desired mounting position over the window. Once the shade is level, mark the wall or molding on either side and top of each mounting bracket.



- Remove the mounting brackets from the headrail by pushing back and up on the “tail” of the bracket.



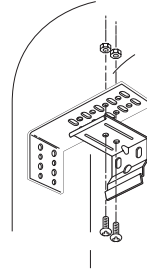
- Fasten brackets to wall where marked.  $\frac{1}{2}$ ” of the flat mounting surface is required to mount your shade.

- Proceed to “Shade Installation”.

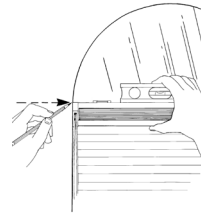
## END MOUNT

An end mount is recommended for shades being installed with an arch top or for inside mount applications where there is no alternative mounting surface.

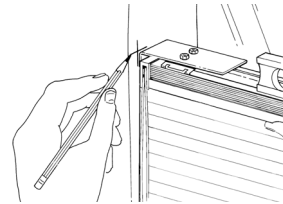
NOTE: You will be using your shade with mounting brackets attached to the headrail to mark the position of the brackets in your window opening.



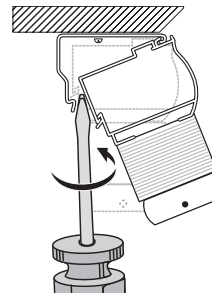
Attach the mounting brackets to each extension bracket using the holes that are second to the last hole as shown in the diagram. Lower the shade to its full length. (See “Shade Operation”.)



- With the mounting brackets attached, hold the shade up to the desired mounting position inside the window casing.

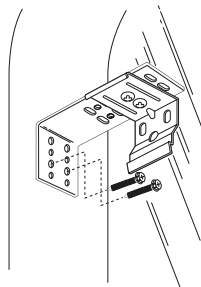


- Once the shade is level, recess the shade  $\frac{1}{4}$ ” from the front edge of the window casing and mark the wall on the front side and top edge of each extension bracket.



- Remove the mounting brackets from the headrail by pushing back and up on the “tail” of the bracket.

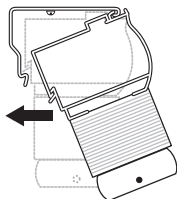
NOTE: Diagram does not show extension bracket.



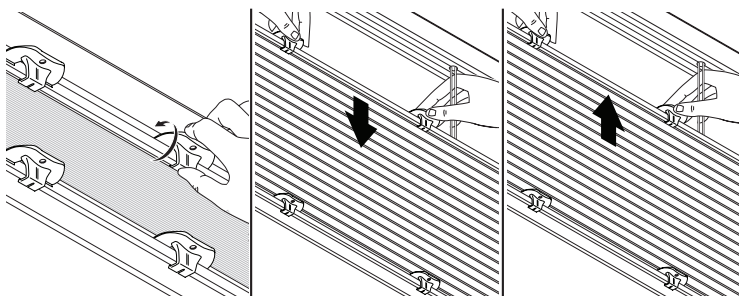
- Install an assembled end mounting bracket at each set of marks in your window opening.

## SHADE INSTALLATION

- Position the headrail with the front lip (A) resting on the top hooks of all brackets. Make sure no fabric is pinched between the brackets and the headrail.
- Push the bottom of the headrail firmly upwards and toward the window until the groove at the bottom of the headrail snaps into place, (B) as shown.



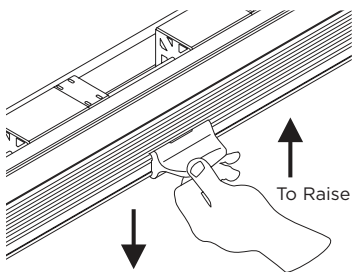
## INSTALLING HANDLE



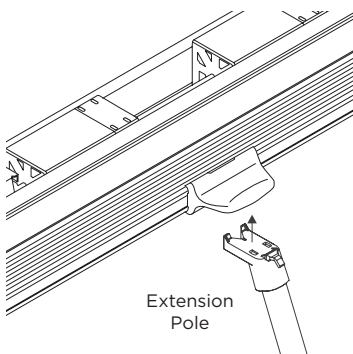
- Locate the center of the bottom rail. Gently lift fabric out of the way. Hook the top of the handle over the front lip on the bottom rail. Rotate handle down until it snaps into place.

## SHADE OPERATION

This product should be operated from the center of the bottom rail.

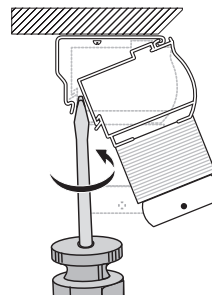


- For standard shades to lower use handle(s) to pull down. To raise shade, use handle(s) to lift up.
- For Top Down Bottom Up or DuoShade, to raise or lower shade use both handle(s) on each rail to pull down or raise up.



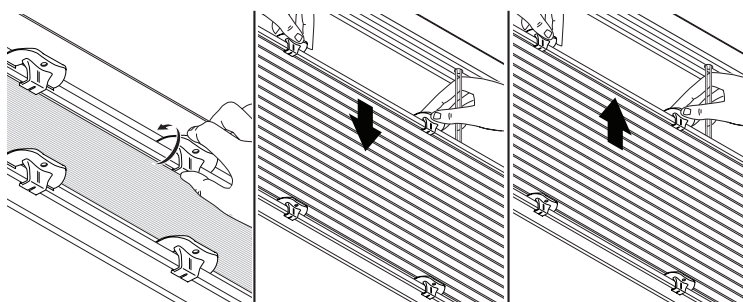
Extension Pole

## SHADE REMOVAL



- Draw the shade completely up. (See “Shade Operation”)
- While pinching the headrail and bottom rail together with both hands, gently but firmly rotate the headrail back and forward until the front of the headrail releases from the mounting brackets.

## HANDLES FOR TOP DOWN BOTTOM UP SHADES



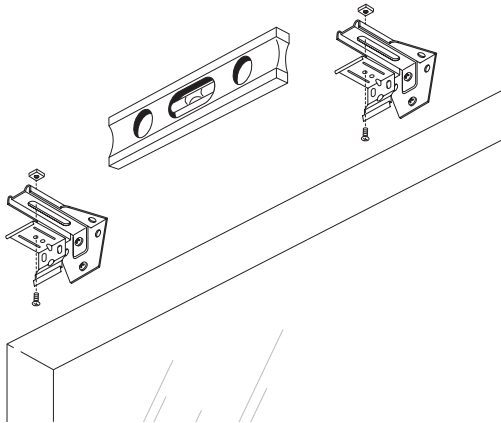
For optional top down bottom up or duoshade or combination shade, clip two handles to the middle rail and two handles to the bottom rail.

# OPTIONAL ACCESSORIES

## EXTENSION BRACKETS

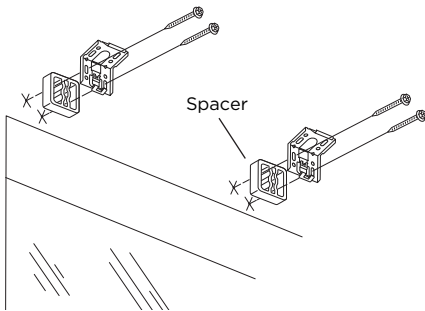
Extension Brackets are used to project the shade up to 3" from the mounting surface. Extension brackets are available at an additional charge and are ideal if your shade must clear an obstruction such as a sliding glass door handle or window crank. Extension brackets require a flat vertical mounting surface of at least 7/8".

### To assemble and mount



- Attach each mounting bracket to an extension bracket by using the nuts bolts and washers provided.
- Mount the extension bracket to the wall per the instructions for an "Outside Mount", using a level and making certain that all mounting brackets are level and project the same distance from the mounting surface. For maximum stability, install the screws diagonally from one another.
- Install the shade per the directions for "Shade Installation".

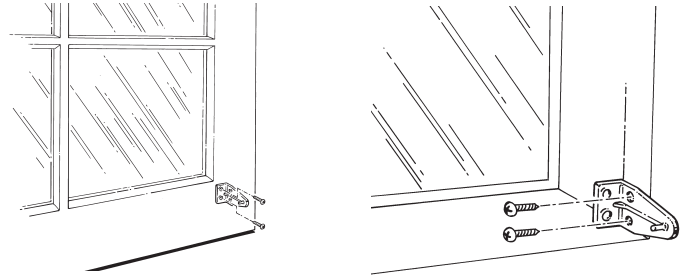
## SPACERS



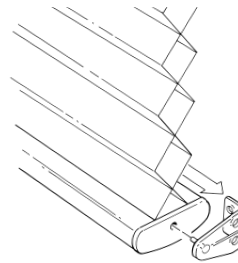
Spacers are available for use on windows with a projected molding. They are 3/8" thick and allow the shade to be mounted flush with the outside edge of any standard window molding. They are available by contacting our Customer Care Department at 800-800-3329.

## HOLD DOWN BRACKETS

Hold down brackets are used primarily on shades mounted to doors or in motor homes. There are two small holes in the end caps that are covered by a thin plastic layer. Use the pin on the hold down bracket to push through the center of the end cap and it will break through the plastic layer.

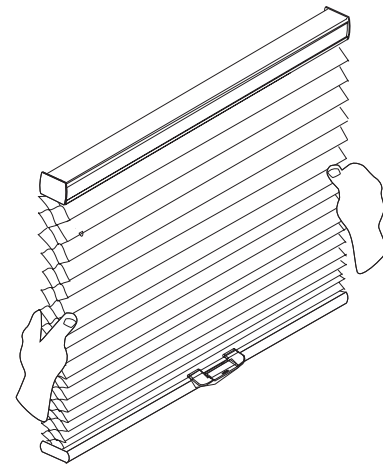


- With the shade lowered to its full length, place the pin of each hold down bracket into the hole in each end of the bottom rail.
- Mark the mounting surface, either to the side or back of the window frame, through the holes in the hold down bracket. Make sure the hold down brackets are level and aligned with each other.
- Raise the shade and screw the hold down brackets into the mounting surface using the screws provided.



- Lower the shade and flex the hold down bracket outward so that the pin can be inserted into the hole in the end cap.

# TROUBLE SHOOTING



**PROBLEM:** Shade will not stay down.

**CAUSE:** Because the shade was fabricated primarily in the closed position, the fabric may want to spring up.

**REPAIR:** Gently pull down on a section of cells to relax the pleats (see diagram below). Repeat with another section of cells until the fabric is sufficiently relaxed. Do not raise the shade for 24 hours.

## IMPORTANT PLEASE READ

### Cordless Cellular/Pleated Shades Operating Instructions

Thank you for purchasing a cordless Cellular or Pleated Shade.

This lift system eliminates the need for cords and provides a more attractive appearance. Cordless shades are the safest window shade alternative; ideal for homes with children and pets.

**To maintain optimum performance of your cordless shade, we recommend you operate your shade daily.**

In the event your shade is in the lowered position for an extended period of time, the fabric of the shade may relax and resist lifting. This is a natural occurrence with fabric shades. When lifting the shade after an extended period of time, you may notice the fabric billowing (puff out) toward you.

This is temporary and can be corrected by completely raising the shade and then operating the shade several times. This will allow the fabric to go back to its natural state, and your cordless shade will then operate as designed.

If the shade has been in the fully raised position for an extended period of time, the shade may have the tendency to “bounce up” above the desired length of the shade. This is temporary and can be corrected by completely lowering the shade and then operating the shade several times. This will allow the fabric to go back to its natural state, and your cordless shade will then operate as designed.

If the shade is less than 48” in width (52” Pleated), always lift the shade from the middle of the rail, using a handle is highly recommended. This will help eliminate any unevenness that may occur. If the shade is over 48” in width (52” Pleated), use 2 handles and space them evenly apart. For very wide shades, place handles as far apart as you comfortably can reach, use both hands to lift the shade. This will prevent bowing of the rails or raising and lowering unevenly.

Bracket placement is essential to the performance of cordless Cellular/Pleated Shades. Please follow the installation instructions in your manual closely.



**3DAYBLINDS®**  
YOU'LL LOVE THE TREATMENT

800-800-3329 | [3dayblinds.com](http://3dayblinds.com)

Part # PM-021 © 3 Day Blinds Corporation 3/13