

ROLLER SHADE

Continuous Cord Loop and Link System
with Cassette

Continuous Cord Loop with Side Channels



3DAYBLINDS®
YOU'LL LOVE THE TREATMENT

GETTING STARTED

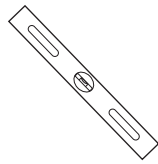
A few simple tools are required:



Steel Tape Measure



Pencil



Level
(for outside mount)



Power Drill and
Drill Bits



Flathead & Phillips
Screwdriver



Awl (or tool for
starting a screw hole)

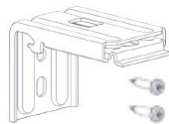
Included in your order is all the hardware necessary for a normal installation. Depending on the mounting surface, fasteners other than the screws provided may be required. Wall board and plaster require the use of anchors such as expansion or toggle bolts. Bricks, tile and stone need special plugs and drill bits. Wood should always be pre-drilled to avoid splitting.

Professional installation is also available in most areas, call 800-800-3329.

STANDARD HARDWARE



Inside Mount Brackets
with Screws

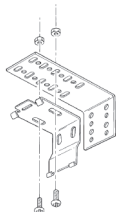


Outside Mount Brackets
with Screws

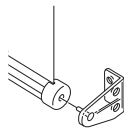


Tension Pulley and
Bracket with Screws

OPTIONAL HARDWARE



Extension Bracket



Hold Down Bracket

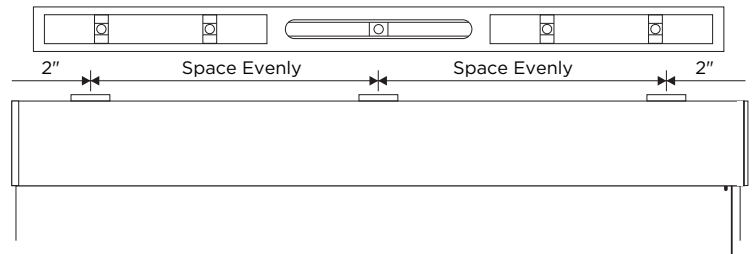


Spacers

BRACKET INFORMATION

The brackets you received with your product are REQUIRED for proper installation. Brackets should be installed at each end and any additional brackets will need to be evenly spaced between the two end brackets.

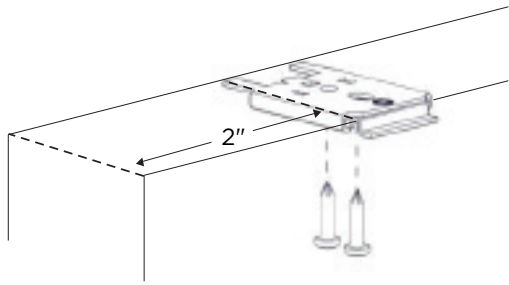
BRACKET PLACEMENT



NOTE: Measure and mark all bracket locations before installing.

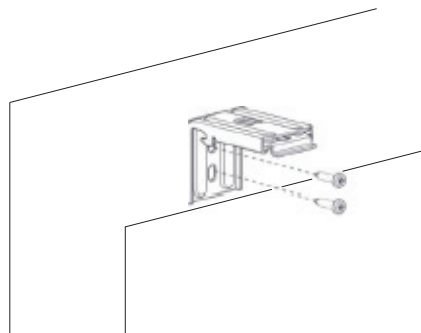
- Bracket placement is the same for inside and outside mounts.
- Measure 2" in from the ends of the headrail and mark the bracket location on the mounting surface.
- Space additional brackets evenly between the end brackets.
- Adjust the bracket placement to accommodate obstructions to the bottom rail, such as window cranks or handles.

INSIDE MOUNT



- Align the tops of each installation bracket to the top of the window opening and attach using two screws per bracket.
- Align the brackets to the inside of the mark on the mounting surface.
- Adjust the bracket placement to accommodate obstructions to the bottom rail, such as a window crank or handle.
- Use a carpenter's level to check that the brackets are level and aligned. Attach using two screws.

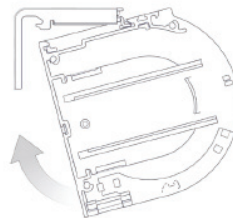
OUTSIDE MOUNT



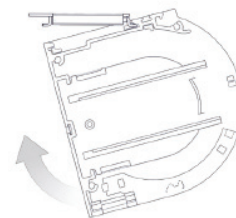
- Attach the back of each installation bracket using two screws per bracket.
- Align the brackets to the inside of the mark on the mounting surface.
- Use a carpenter's level to check that the brackets are level and aligned.

SHADE INSTALLATION

- If you have not already done so, unwrap the packing material around the shade. DO NOT CUT the packaging as the fabric or the cords supporting the shade may be inadvertently cut. Unwind the shade's cord loop and let it hang down in front of the shade.

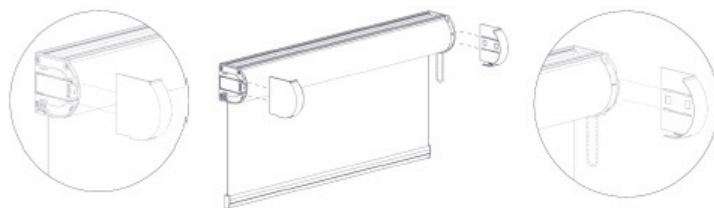


Outside Mount

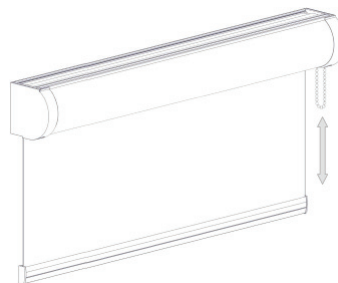


Inside Mount

- With the front of the shade facing you, hold the shade up to the mounting brackets and hook the front lip of the shade into the top groove on the bracket. Rotate the back of the shade upward until the back of the rail clicks into the bracket.



- Align the square or round end caps and slide them onto the end plates of the cassette. You will hear a click when they are in place.



- Test the shade to ensure it is operating correctly.

TENSIONER INSTALLATION

After installing the window covering, the Cord Tensioner must be mounted for the window covering to operate correctly. When properly installed, the Cord Tensioner functions as a safety device that makes the pull cord less accessible to children.

NOTE: If the mounting screws will not be secured into a wood stud, use wall anchors. For metal surfaces, pre-drill the holes and use sheet metal screws.

IMPORTANT!

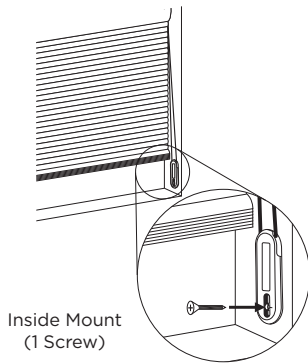
- Install the Cord Tensioner in a location that minimizes accessibility to children and pets and where it will not interfere with its operation.
- Only supplied Cord Tensioners and hardware should be used.

MOUNTING OPTIONS

Option A - Inside mount without an anchor

Cord Tensioner used in an inside mount application without a mounting bracket.

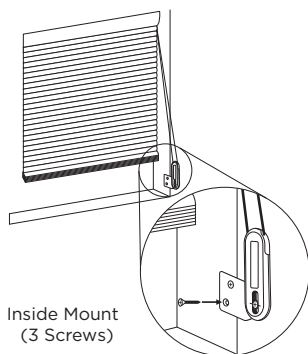
- Locate the Cord Tensioner as close to the window as possible to minimize accessibility by children and pets. Be sure the Cord Tensioner is not placed in the path of the window covering when raising and lowering.



Option B - Inside mount with an anchor

Cord Tensioner using the mounting bracket in an inside mount application.

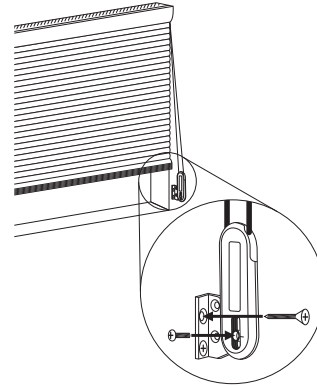
- Locate the Cord Tensioner as close to the window as possible to minimize accessibility by children and pets. Be sure the Cord Tensioner is not placed in the path of the window covering when raising and lowering.



Option C - Outside Mount

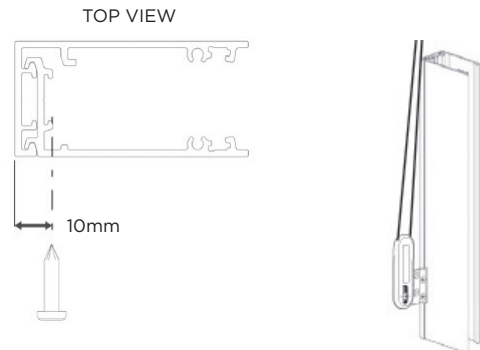
Cord Tensioner using the mounting brackets in an outside mount application.

- Locate the Cord Tensioner as close to the window as possible to minimize accessibility by children and pets. Be sure the Cord Tensioner is not placed in the path of the window covering when raising and lowering.



Option D - Outside Mount with Side Channels

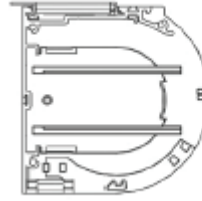
- All tensioners must be affixed to the side channel as specified to ensure bottom rail function is not affected.
- Drill a pilot hole into the face of the metal side channel 10mm (slightly more than 3/8" from the edge of the channel).



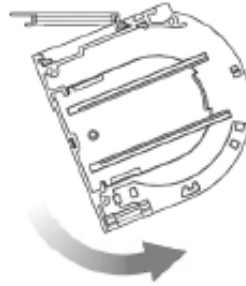
SHADE OPERATION

- To raise the shade, pull down on the front of the cord loop.
- To lower the shade, pull down on the back of the cord loop.

SHADE REMOVAL



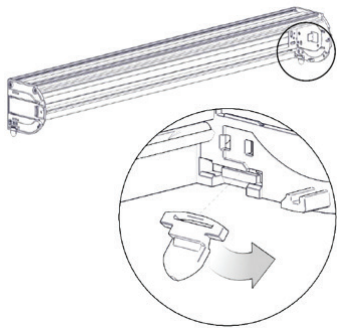
- Push the cassette forward away from yourself.



- Rotate the back of the cassette down and back toward yourself.
- Repeat this for each bracket until the shade is free from the mounting brackets
- Use caution and support the shade while releasing it from the brackets so that the shade does not fall.

INSTALLING SHADES WITH SIDE CHANNELS

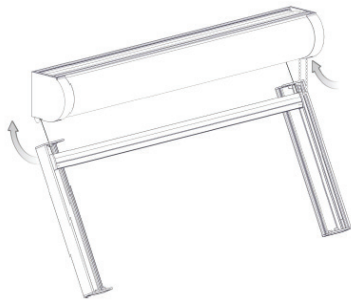
SHADE INSTALLATION



- Install the side guide ears. Ensure they fit flush with the outside of the endplates.

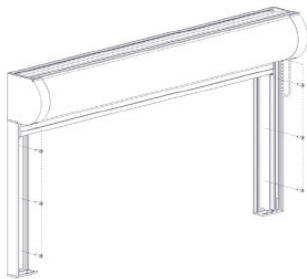


- Add the side channel top and bottom caps onto the side channel pieces.

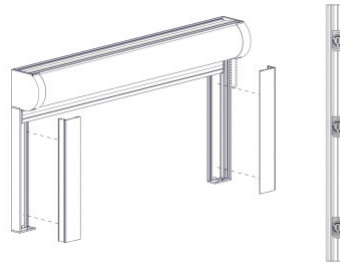


- Before installing the side channels, lower the shade a little so you are able to insert the fabric into the caps guide.

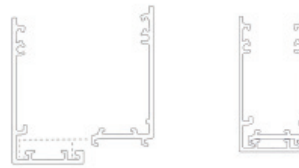
- Locate the side channel top cap to the side guide ear for the correct position. Lift out the fabric and bottom rail to insert the fabric into the side guides.



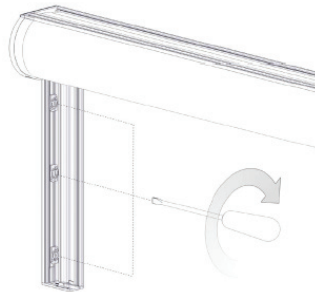
- Slide the channels all the way up until they touch the bottom of the cassette. Hold a level on the siderails and adjust until it is level vertically. Then fasten with screws in the pre-drilled holes.



- Before installing the face of the side channels, make sure the side guide locks are inserted.



- Once those are inserted, the face of the side channel should snap into place.

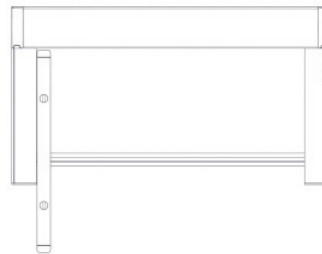


- Use a flat head screw driver and rotate the locks clockwise to secure the side guides together.

NOTE: the channel cover in this image has been removed for clarity.



Unlocked Position: rotate clockwise to lock Locked Position



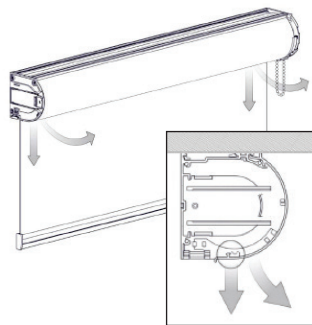
- Test the shade to ensure it is operating correctly. Double check that the side channels are vertical and parallel using a level.

- Run the shade down and up to ensure correct operation.

INSTALLING SHADES WITH LINK SYSTEM AND CASSETTE



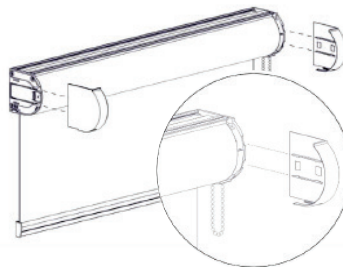
- Slide control end in first. Then retract the idle pin to clip in the idler side.



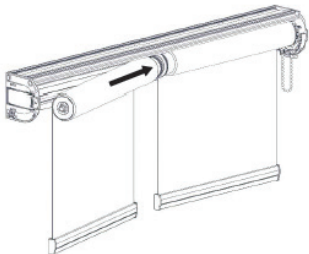
- If the cover needs to be removed in the future, reverse these steps and pull the inner edge down, then swing out to disengage from the end plate clip.



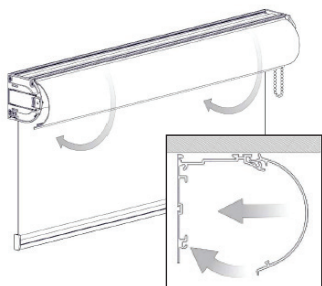
- Rotate the center side of the first shade into the box back, retract the pin to engage into the center link bracket, and tighten the grub screw.



- Align and slide the round or square end covers onto the end plates. You should hear them click into place.



- Insert the second shade into the center link bracket and clip the idler into the idler bracket.



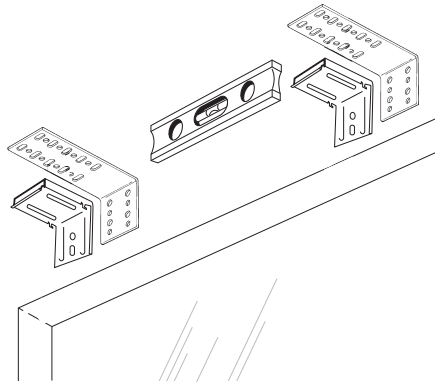
- Insert the round or square cover onto the cassette back and rotate it down to clip into position.

OPTIONAL ACCESSORIES

EXTENSION BRACKETS

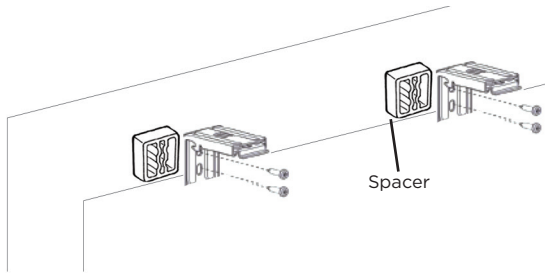
Extension Brackets are used to project the shade up to 3" from the mounting surface. Extension brackets are available at an additional charge and are ideal if your shade must clear an obstruction such as a sliding glass door handle or window crank. Extension brackets require a flat vertical mounting surface of at least 7/8".

To assemble and mount



- Attach each mounting bracket to an extension bracket by using the nuts bolts and washers provided.
- Mount the extension bracket to the wall per the instructions for an "Outside Mount", using a level and making certain that all mounting brackets are level and project the same distance from the mounting surface. For maximum stability, install the screws diagonally from one another.
- Install the shade per the directions for "Shade Installation".

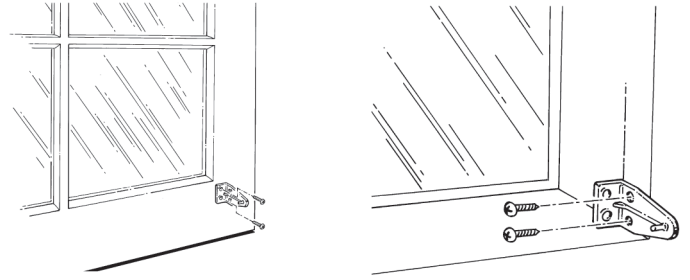
SPACERS



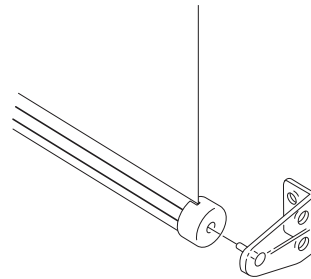
Spacers are available for use on windows with a projected molding. They are 3/8" thick and allow the shade to be mounted flush with the outside edge of any standard window molding. They are available by contacting our Customer Care Department at 800-800-3329.

HOLD DOWN BRACKETS

Hold down brackets are used primarily on shades mounted to doors or in motor homes. There are two small holes in the end caps. Use the pin on the hold down bracket to push through the hole in the end cap.



- With the shade lowered to it's full length, place the pin of each hold down bracket into the hole in each end of the bottom rail.
- Mark the mounting surface, either to the side or back of the window frame, through the holes in the hold down bracket. Make sure the hold down brackets are level and aligned with each other.
- Raise the shade and screw the hold down brackets into the mounting surface using the screws provided.

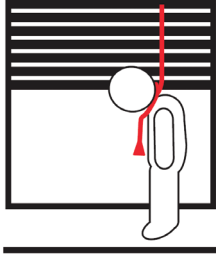


- Lower the shade and flex the hold down bracket outward so that the pin can be inserted into the hole in the end cap.



WARNING

Young children can STRANGLE in cord and bead chain loops. They can also wrap cords around their necks and STRANGLE.



- Always keep cords and bead chains out of children's reach.
- Move cribs, playpens, and other furniture away from cords and bead chains. Children can climb furniture to get to cords.
- Attach tension device to wall or floor. This can prevent children from pulling cords and bead chains around their necks. Fasteners provided with the tension device may not be appropriate for all mounting surfaces. Use appropriate anchors for the mounting surface conditions.

ANSI/WCMA A100.1-2018 5.2.2



3DAYBLINDS®
YOU'LL LOVE THE TREATMENT

800-800-3329 | 3dayblinds.com

Part # PM-050 © 3 Day Blinds LLC 05/18